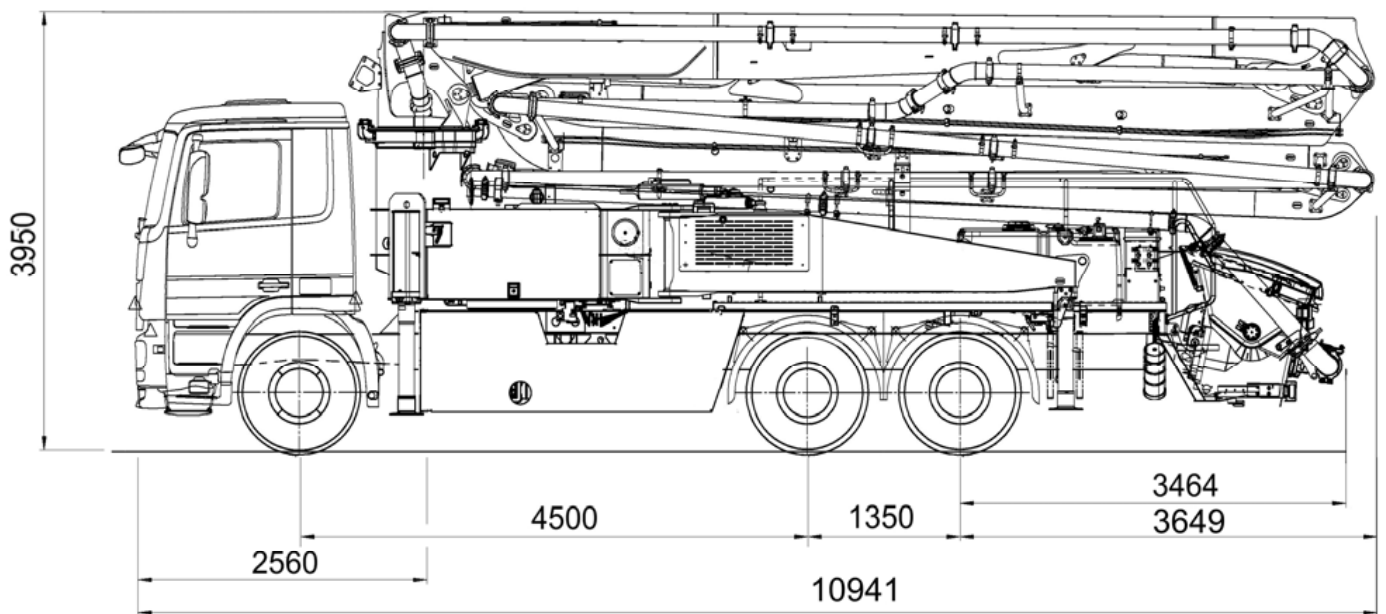
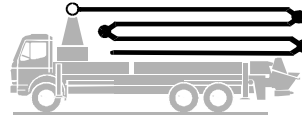


Putzmeister

Truck-mounted concrete pump BSF 36-4.16 H

.16 H LS

Output up to 160 m³/h
Delivery pressure up to 85 bar*



Note: Standard version. Dimensions and weights depend on truck, pump model and equipment.
Dimensions in mm, MB-Actros 2632 Euro 5 as example.
For illustration only.

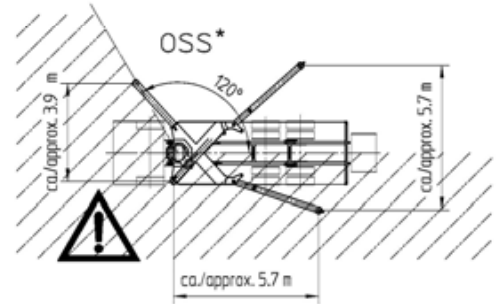
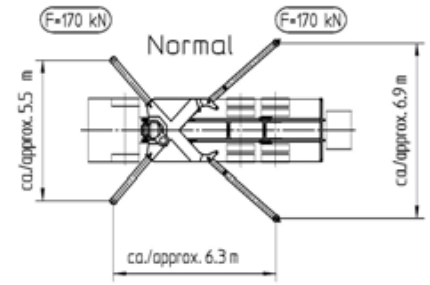
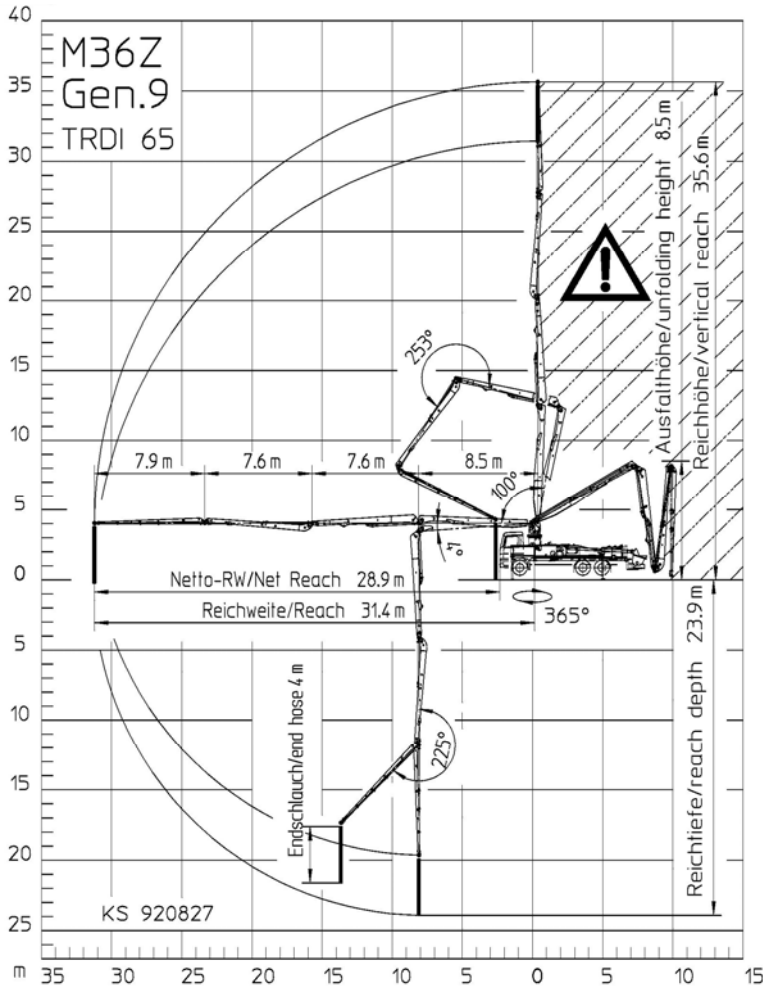
Technical data

Boom M 36-4 Gen. 9		
Sections		4
Reach height	m	35.6
Horizontal reach	gross	m 31.4
	net	m 28.9
Reach depth max.	m	23.9
Unfolding height	m	8.5
End hose length	m	4
Folding system		Z
Delivery line		DN 125

Pump		BSF	.16 H	.16H LS
Rod side	Output	m ³ /h	160	-
	Delivery pressure	bar	85	-
	Strokes	1/min.	31	-
Piston side	Output	m ³ /h	-	160
	Delivery pressure	bar	-	85
	Strokes	1/min.	-	26
	Delivery cylinder	Ø mm	230	250
	Stroke	mm	2100	2100

*) Delivery line boom max. 85 bar.
All data maximum theoretical.

Reach information diagram, Support



OSS not included in series range.
Dimensions can differ depending on configuration.



Range in which you must not work with the end hose.

Serial delivery scope

Agitator and water pump radio remote/on site controlled	Ergonic Pump System (EPS) incl. Ergonic Output Control (EOC)	Support plates at swinging support leg in bracket
Agitator safety switch off, RFID with startup protection	Flushing water pump 160 l/min 25 bar	Swivel support plates
Box for delivery slip, plastic	Hand rail left and right side (not EEA)	Tool set incl. standard equipment
Box for sponge balls	Hinged elbow with cleaning port	Towing eye
Cardan shaft maintenance free	Hydraulic hose for replacement in hose pack	Wash-out port lid with slide pin
Central lubrication hopper, electrically	Operating manuals 2 x (1 x paper, 1 x CD-ROM) spare part list	Water supply at hopper (1/2")
Chassis horn via remote control on hopper	Platform non-skid	Water tank 800 l
Concrete hopper RS 909 with agitator	Pump on/off dependent on speed	Working light for illumination of hopper, detachable
Connections for hydraulic emergency supply	Radio remote control proportional with display	
C-pipe connection for filling water tank	Remote control without display with 40 m cable	
Delivery cylinder chrome-plated	Rubber collar on concrete hopper	
Delivery line (1-layer) PM40, arm assembly	Spectacle wear plate DURO 22	
Delivery piston 'compact' (16 H), 'single' (16 H LS)	Splash guard fixed	
Diagnose interface	Spray hose 10 m incl. bracket	
End hose 4.0 m DN 125 5,5"	Steps, first step foldable	
Ergonic Graphic Display (EGD) with machine fault management	S-transfer tube switchover fast/slow	

See quotation for exact serial delivery scope.
Comprehensive range of options available on request.