

# Premier

CONCRETE PUMPING LTD

PIPELINES AND ACCESSORIES  
FOR CONCRETE PUMPS

POWERED BY  **VEGA** a brand of 

**Work Safe  
Home Safe**

Precision Parts...  
Unmatched Performance

V1.24

Quality, Expertise and Efficiency

# Premier

CONCRETE PUMPING LTD

POWERED BY  VEGA a brand of 



## Camfaud Group - Our Mission and Vision



### Our Mission

"To safely and reliably provide concrete placement solutions and related services to the construction industry."



### Our Vision

"To be the number one concrete placement solution and related service company in each market we serve, accomplished in a responsible and sustainable way."

## Camfaud Group - Our Values:

### Safety

We share a personal and professional commitment to protecting the safety and health of our employees, our customers, and the people of the communities in which we operate. We focus on making sure that everyone, everywhere, everyday makes it home safely.

### People

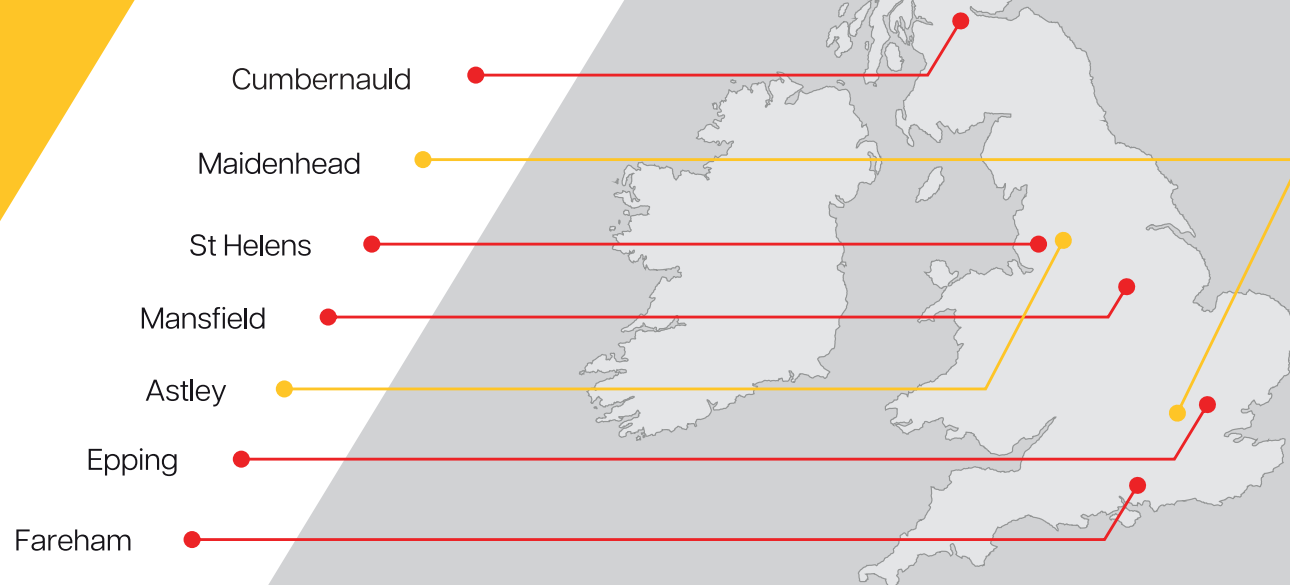
People are the heart of our business. We treat our employees and all our partners with professionalism, dignity, and respect. We aim to attract, develop and retain the best people.

We drive a culture that promotes personal development, work/life balance and celebrating TEAM success.

### Reliability

We are proud of our consistently reliable reputation that has been established over many years and our ability to repeatedly deliver the right solutions to our customers on an international scale.

## Hiredesk and Workshop Locations



**Scotland** - Aberdeen, **Cumbernauld**, Inverness, Motherwell

**North** - **Astley**, Cumbria, Knottingley, Leeds, Manchester, Middlewich, Newcastle, Rossendale, Scarborough, **St Helens**, Thirsk

**Midlands** - Birmingham, **Mansfield**, Stoke-On-Trent

**London & SE** - Ashford, Bedford, Colchester, **Epping**, Erith, Crawley, Heathrow, Huntingdon, Maidenhead, Thetford

**South West** - Bristol, Cardiff, **Fareham**, Hinkley Point, Newton Abbot, Pontypool, South Wales, Swindon

**Camfaud**  
[www.camfaud.co.uk](http://www.camfaud.co.uk)

**Premier**  
[www.premierconcretepumping.co.uk](http://www.premierconcretepumping.co.uk)

**ECO-PAN**  
[www.eco-pan.co.uk](http://www.eco-pan.co.uk)

## INDEX

### Concrete distribution lines

Single wall pipelines .....	6 - 7
Tapered cast bends .....	8
Reducers .....	8
Long radius bends .....	8
Pipes with pressure gauge .....	9
Cast bends .....	10
Weld-on collars .....	11 -14
Shut-off valve light .....	15

### Couplings and accessories

Couplings .....	16 - 27
Gaskets .....	28 - 30
Base plates for couplings .....	31
Safety pins .....	33
Safety Sling .....	33
Pipelines supports .....	35
Supports for wall fixing .....	36
Support for rubber hose .....	37
Support .....	37
Cleaning balls .....	38 - 39
U-shaped support .....	40
Wall bracket support .....	40
Cleaning cylinders .....	41
Go-devils .....	41

### Accessories for pipelines

Manual diverter .....	42
Hydraulic diverter .....	42
Horizontal hydraulic diverter .....	43
Y Diverter .....	44
Manual shut-off valve .....	44
Hydraulic shut-off valve .....	45
Cleanout pipe .....	46
Ball-catcher pipe .....	46
Hose placing disks .....	47
Security cable .....	47
Stabilization plates .....	48
Premier Pumping Aid .....	50
Concrete Hose .....	52 - 53
Pipe Track .....	54

## SINGLE WALL PIPELINES

We manufacture standard or hardened pipelines, using S355 (ST52) steel or HB400 steel respectively. Our pipelines are manufactured using a mechanized production process, which secures a solid and uniform welding.



### S355 (ST52) Steel pipes

Available from 2 mm up to 9,5 mm thickness with certified working pressure.

### HB400 Pipelines

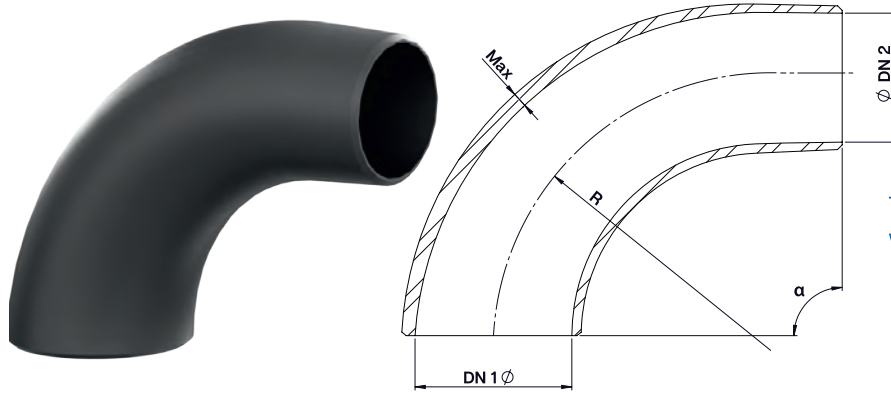
Thanks to a heat treatment that enhances their hardness and wear resistance, HB400 pipes last an average 90% more than standard S355 (ST52) pipes.



	Collars		L.
50	2"	4-7 mm.	Upon request O>6000 mm
65	2"1/2	4-7 mm.	
	3"		
75	3"	4-7 mm.	
	3"1/4		
	4"		
100	4"	2-4-10 mm.	
	4"1/2		
125	5"	4-7 mm.	
	5"1/2		
150	6"	4-7 mm.	

## TAPERED CAST BENDS

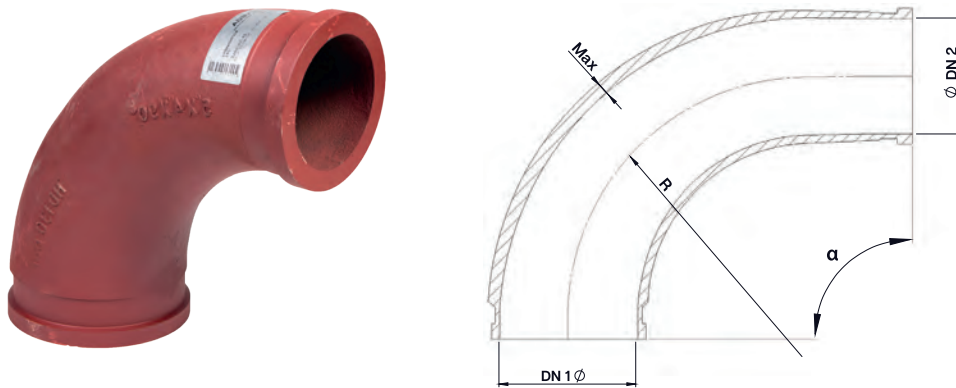
### RAW BENDS



Tapered cast bends in anti-wear manganese with different thicknesses.

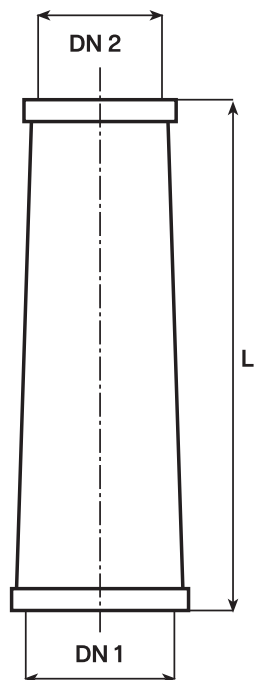
Reference	DN1 mm	Inches	DN2 mm	Inches	Max. $\frac{\downarrow}{\uparrow}$	R	$\alpha$	Kg
<b>RCC40.30.90</b>	100	4	75	3	13	160	90	9
<b>RCC50.40.90</b>	125	5	100	4	13	190	90	12
<b>RCC60.50.90</b>	150	6	125	5	15	250	90	15.5
<b>RCC70.60.90</b>	175	7	150	6	15	390	90	33

### BENDS WITH WELDED RINGS



Reference	DN1 mm	Collars	DN2 mm	Collars	Max. $\frac{\downarrow}{\uparrow}$	R	$\alpha$	Kg
<b>RCC4HD3HD90</b>	100	4"HD	75	3"HD	13	160	90	9.9
<b>RCC554590</b>	125	5"1/2 SK	100	4"1/2 SK	13	190	90	13
<b>RCC5HD4HD90</b>	125	5"HD	100	4"HD	13	190	90	14

## REDUCERS



We manufacture reducers in different lengths:  
**65/50 mm up to 180/125 mm diameter**  
**Available with threaded connections**  
**7 mm thickness**  
**85 HRB average hardness**

## LONG RADIUS BENDS



We manufacture long radius bends in S355 (ST52) steel,  
used in stationary pumps for major works:  
**From 3,6 mm to 7 mm thickness**  
**From 500 mm to 1200 mm radius**  
**From 50 mm up to 125 mm diameter**  
**From 30°, 45°, 60° or 90° angles**



## PIPE WITH INLINE PRESSURE GAUGE

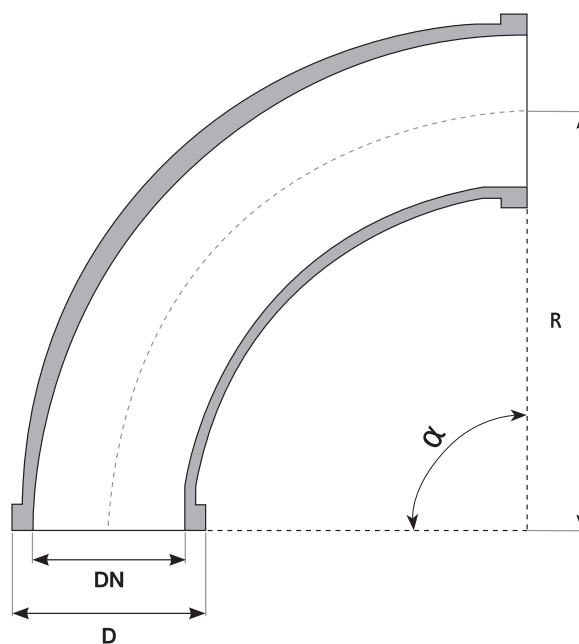


A crucial component for constant monitoring of the pumping pressure inside the pipe.

Reference	DN mm	D mm	Collars	L mm	Kg	bar	psi
<b>ILP45</b>	100	127	4 $\frac{1}{2}$	350	12	150	2175
<b>ILP55</b>	125	148	5 $\frac{1}{2}$	305	14.6	1502	175
<b>ILP50HD</b>	125	157	5"HD	305	14.6	1502	175



## CAST BENDS



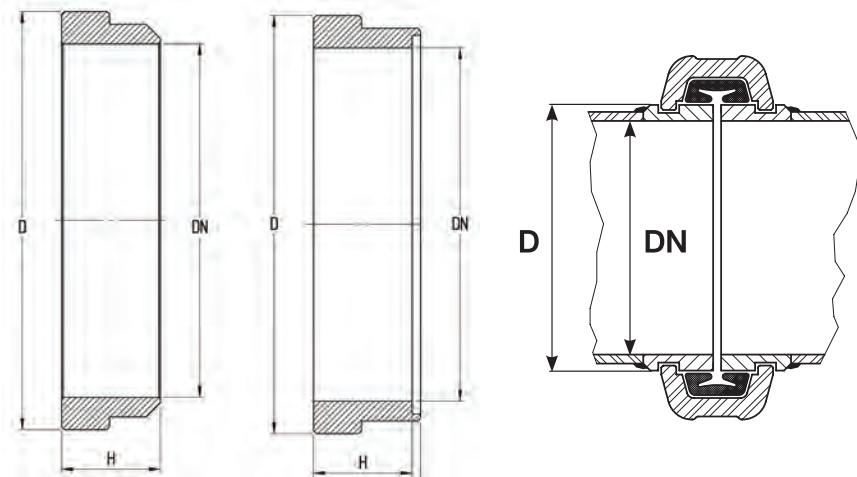
Cast bends in manganese and chrome from 200 HB to over 500 HB hardness. Increased thickness in the most critical points and turned external collar.

Reference	$\alpha$	DN mm	D mm	R	Kg
20349002	90	79	97	152	5
20453010	30	100	127	380	6
20454501	45	100	127	275	6.5
20454508	45	100	127	365	8.5
20456006	60	100	127	210	6.6
20456007	60	100	127	310	10.5
20459001	90	100	127	275	13
20459002	90	100	127	180	8
20459003	90	100	127	285	13
20459004	90	100	127	170	8
20459005	90	100	127	175	8
20459022	90	100	127	278	12.5
20474523	45	112	148	232	7.8

Reference	$\alpha$	DN mm	D mm	R	Kg
20479001	90	112	148	275	15.6
20479002	90	112	148	180	12.8
20551501	15	125	148	495	5
20552001	20	125	148	390	5
20553001	30	125	148	325	5
20553009	30	125	148	365	7
20554501	45	125	148	275	7.5
20559001	90	125	148	275	15
20559002	90	125	148	180	12.6
20559021	90	125	148	228	13.5

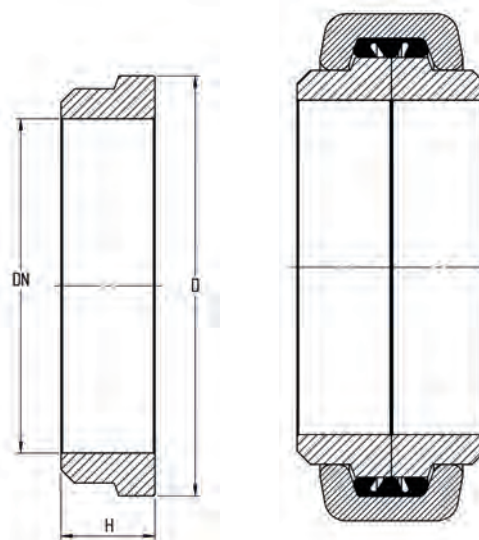
## WELD-ON COLLARS

### METRIC COLLARS



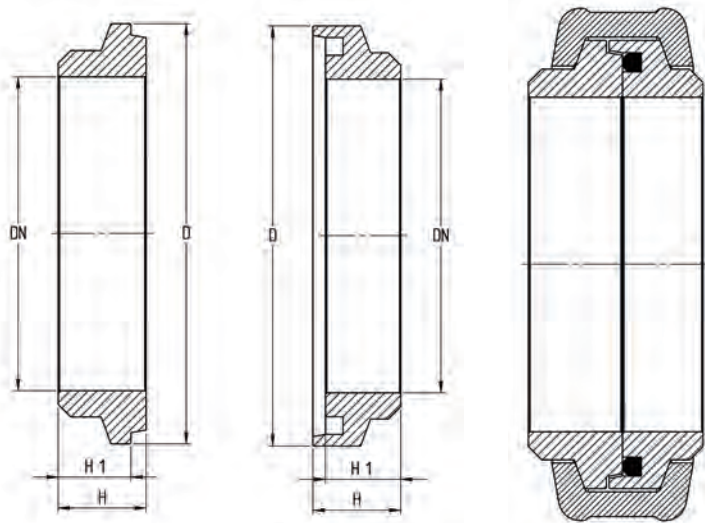
Reference	DN mm	D mm	H mm	H1 mm
<b>AN.20.38</b>	50	60	38	-
<b>AN.25.38</b>	61	73	38	-
<b>AN.30.35.50</b>	50	89	35	-
<b>AN.30.35.63</b>	63	89	35	-
<b>AN.30.35.75</b>	75	89	35	-
<b>AN.34.35</b>	73	97	35	-
<b>AN.34.35.81</b>	81	97	35	-
<b>AN.40.35+3</b>	100	114	35	38
<b>AN.40.38</b>	100	114	38	-
<b>AN.40.50.77</b>	77	115	50	-
<b>AN.45.35</b>	100	127	35	-
<b>AN.45.35+3-0</b>	100	127	35	38
<b>AN.50.35+3</b>	125	140	35	38
<b>AN.55.35</b>	125	148	35	-
<b>AN.55.35+3-0</b>	125	148	35	38
<b>AN.60.45</b>	150	168	45	-
<b>AN.65.45</b>	150	178	45	-
<b>AN.70.45</b>	180	200	45	-

### HD COLLARS

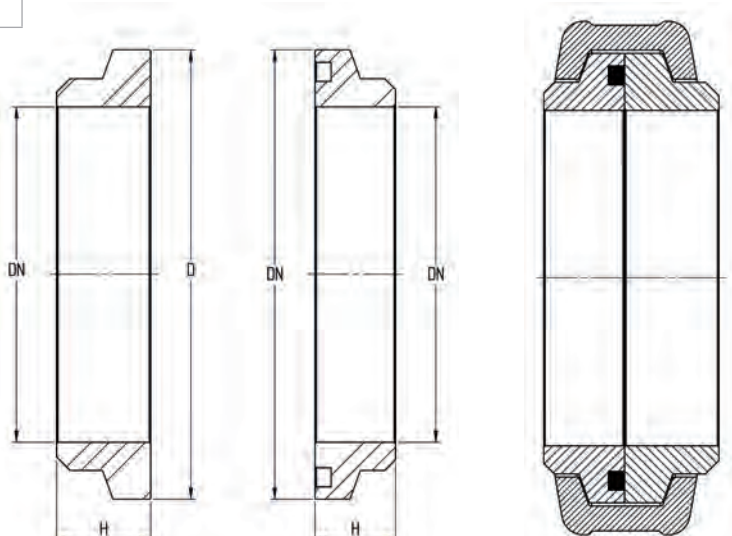


Reference	DN mm	D mm	H mm
<b>AN.2HD.35</b>	50.8	77.7	35
<b>AN.25HD.35</b>	63.5	82.5	35
<b>AN.3HD.35</b>	76.2	106.2	35
<b>AN.4HD.35</b>	100	131.6	35
<b>AN.5HD.35</b>	125	157	35

## CONICAL COLLARS

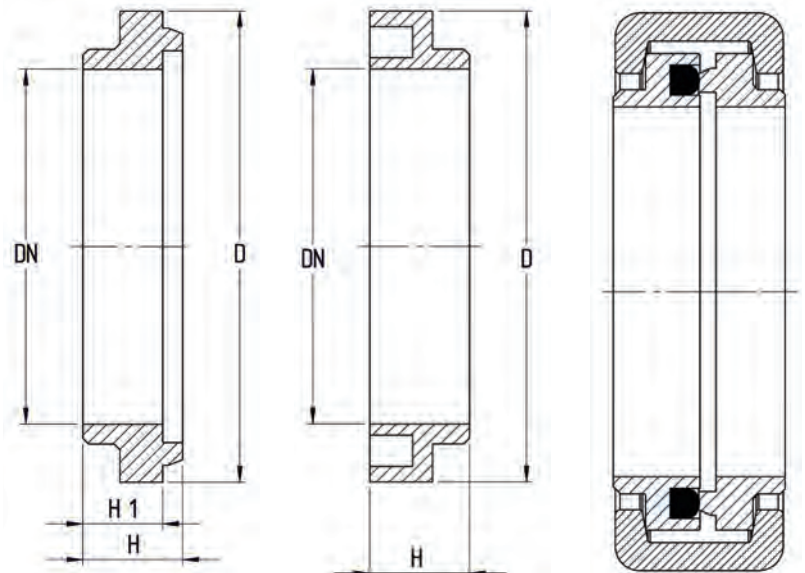


Reference	DN mm	D mm	H mm	H1 mm
<b>AN.ORZ.4.F</b>	100	146	35	29.5
<b>AN.ORZ.4.M</b>	100	146	35	29
<b>AN.ORZ.5.F</b>	125	167.5	35	30
<b>AN.ORZ.5.M</b>	125	167.5	35	29
<b>AN.ORZ.6.F</b>	150	198	35	30.5
<b>AN.ORZ.6.M</b>	150	198	35	30
<b>AN.ORZ.75.F</b>	180	227	38	33
<b>AN.ORZ.75.M</b>	180	227	35	30



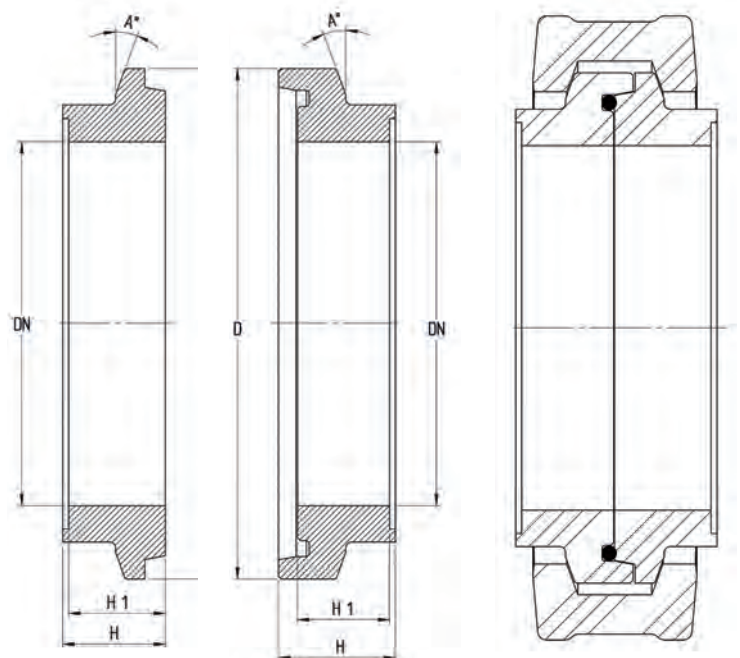
Reference	DN mm	D mm	H mm
<b>AN.ORZ.5.P</b>	125	167.5	35
<b>AN.ORZ.5.PF</b>	125	167.5	30
<b>AN.ORZ.6.P</b>	150	198	35
<b>AN.ORZ.6.PF</b>	150	198	30.5

## M/F COLLARS



Reference	DN mm	D mm	H mm	H1 mm
<b>AN.SCH.5.F</b>	125	166	35	-
<b>AN.SCH.5.M</b>	125	166	35	28
<b>AN.SCH.6.F</b>	150	193	35	-
<b>AN.SCH.6.M</b>	150	193	35	28

## ZX COLLARS



Reference	DN mm	D mm	H mm	H1 mm	A°
<b>AN.ZX.5.F</b>	125	175	40	31.5	20°
<b>AN.ZX.5.M</b>	125	175	35	33	20°
<b>AN.ZX.6.F</b>	150	205	40	32	15°
<b>AN.ZX.6.M</b>	150	205	35	32	15°

## RINGS WITH CARBIDE



Reference	DN mm	D mm	H mm	H1 mm
<b>AN.45.35CC</b>	100	127	35	-
<b>AN.45.40+10CC</b>	100	127	40	50
<b>AN.45.40CC</b>	100	127	40	-
<b>AN.47.40+10CC</b>	110	148	40	50
<b>AN.55.35CC</b>	125	148	35	-
<b>AN.55.40+10CC</b>	125	148	40	50
<b>AN.5HF.40CC</b>	125	148	40	-
<b>AN.5HF.40+15-0CC</b>	125	148	40	55



## SHUT-OFF VALVE LIGHT

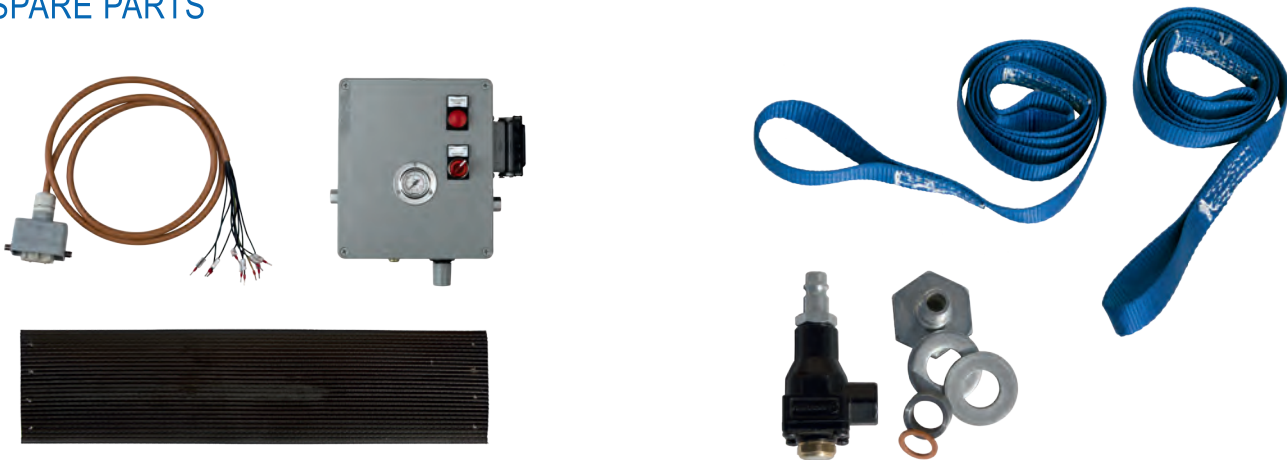


Available for **DN100** and **DN125** end hoses



Reference	Description
VAA125	Shut-off valve light for end hose DN100 and DN125
VAA125.Q	Air shut-off valve DN100 / DN125 with control panel

## SPARE PARTS

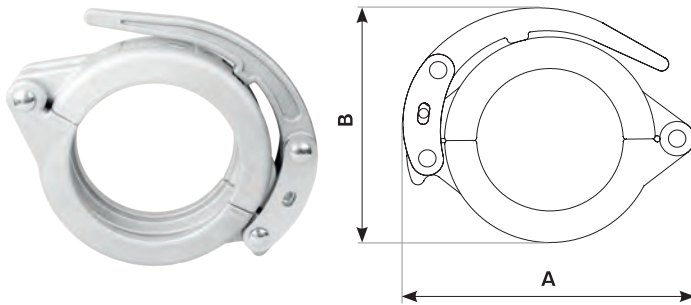


Reference	Description
VAA125.13	Air vent kit
VAA125.06	Bladder
VAA125.12	Hooking ropes
Q.VAA	Control panel

## COUPLINGS

Top-quality couplings with great mechanical performances, 100% Italian production. We manufacture metric (SK) couplings, HD couplings and conical couplings. They are available in different versions: fixed lever, adjustable lever, one bolt, two-bolt, with or without base plate or locking nut. Working pressure can go from 85 bar up to 150 bar.

### ALUMINIUM COUPLING



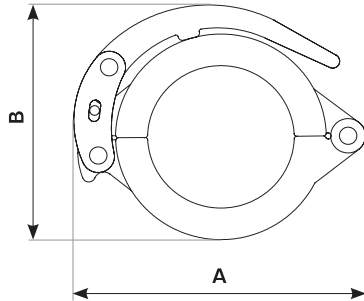
Reference	DN		A		B		⚖️		🕒	
	inch	mm	inch	mm	inch	kg	lbs	bar	psi	
<b>25505500V</b>	5" ½	271	10.67	223	8.78	2.40	5.29	110	1595	

Constant innovation and cutting-edge technology led us to produce a 5,5" aluminium coupling. It combines lightness and resistance: only 2,4 kg weight and 110 bar working pressure.

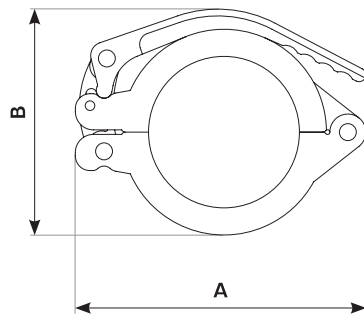


## METRIC COUPLINGS

### FIXED LEVER COUPLING



Reference	DN		A		B		⚖️		🕒	
	inch	mm	inch	mm	inch	mm	kg	lbs	bar	psi
<b>25003000VG</b>	3"	189	7.44	139	5.47	2.38	5.25	100	1450	
<b>25004000VG</b>	4"	216	8.50	173	6.81	2.80	6.17	85	1232	
<b>25004500VG</b>	4" ½	242	9.53	186	7.32	4.08	8.99	100	1450	
<b>25005000VG</b>	5"	246	9.68	206	8.11	3.80	8.37	85	1233	
<b>25005500VG</b>	5" ½	257	10.12	210	8.27	4.00	8.82	85	1233	
<b>25006000VG</b>	6"	296	11.65	234	9.21	5.68	12.52	100	1450	
<b>25005585VG</b>	5" ½	257	10.12	210	8.27	5.8	12.79	130	1885	

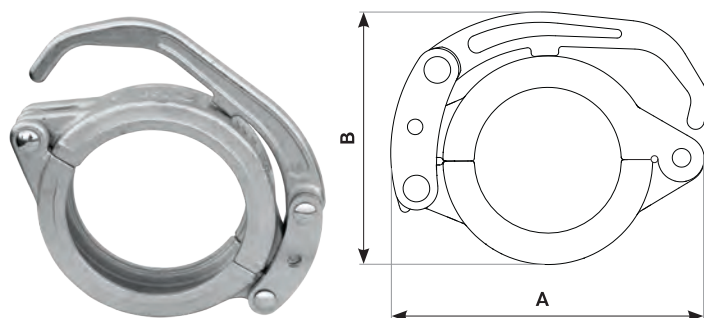


Reference	DN		A		B		⚖️		🕒	
	inch	mm	inch	mm	inch	mm	kg	lbs	bar	psi
<b>25003413VG</b>	3" ¼	196	7.72	146	5.75	3.10	6.83	100	1450	
<b>25006513VG</b>	6" ½	307	12.09	249	9.80	7.50	16.53	85	1233	
<b>25007013VG</b>	7"	332	13.07	269	10.59	8.10	17.86	85	1233	



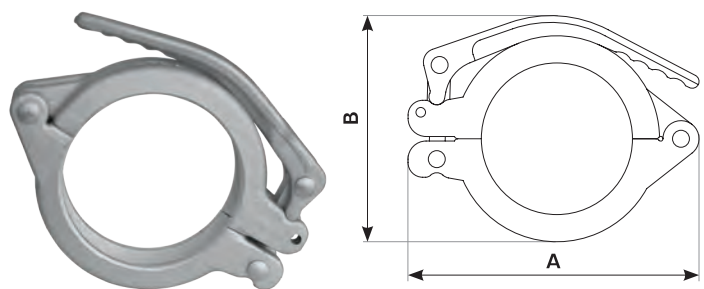
## COUPLINGS

### LONG LEVER COUPLING



Reference	DN	A		B		⚖️		🕒	
	inch	mm	inch	mm	inch	kg	lbs	bar	psi
25002099	2"	152	5.98	110	4.33	1.50	3.30	85	1232
25002599	2" 1/2	163	6.41	128	5.03	1.75	3.85	85	1232
25003099VG	3"	186	7.32	148	5.82	2.45	5.4	100	1450
25004099VG	4"	216	8.50	175	6.89	3	6.61	85	1232
25004599VG	4" 1/2	236	9.29	192	7.56	4.2	9.25	100	1450
25005099VG	5"	246	9.68	209	8.23	4.15	9.14	85	1232
25005599VG	5" 1/2	267	10.51	224	8.82	4.75	10.47	100	1450

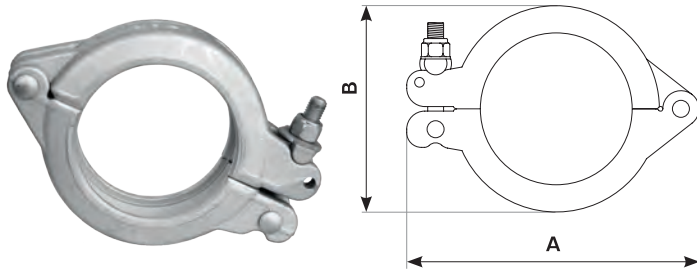
### ADJUSTABLE LEVER COUPLING



Reference	DN	A		B		⚖️		🕒	
	inch	mm	inch	mm	inch	kg	lbs	bar	psi
25003001VG	3"	189	7.44	139	5.47	2.90	6.39	100	1450
25003401VG	3" 1/4	196	7.72	146	5.75	3.00	6.61	100	1450
25004001VG	4"	222	8.74	170	6.69	3.80	8.38	100	1450
25004501VG	4" 1/2	242	9.53	186	7.32	4.80	10.58	100	1450
25005501VG	5" 1/2	272	10.73	204	8.03	5.80	12.79	100	1450
25006001VG	6"	296	11.65	234	9.21	6.80	14.99	100	1450
25006501VG	6" 1/2	307	12.09	249	9.80	7.30	16.09	85	1233
25007001VG	7"	332	13.07	269	10.59	8.20	18.08	85	1233
25008001VG	8"	343	13.50	276	10.87	8.50	18.74	20	2175

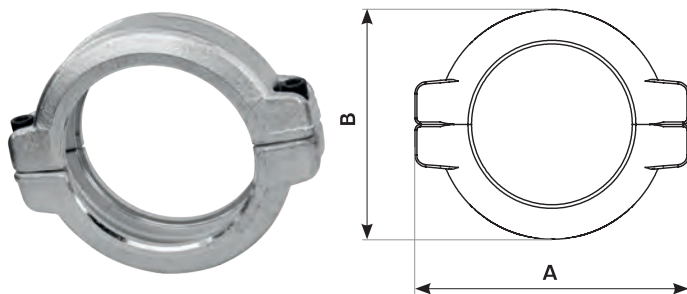
## COUPLINGS

### ONE BOLT COUPLING



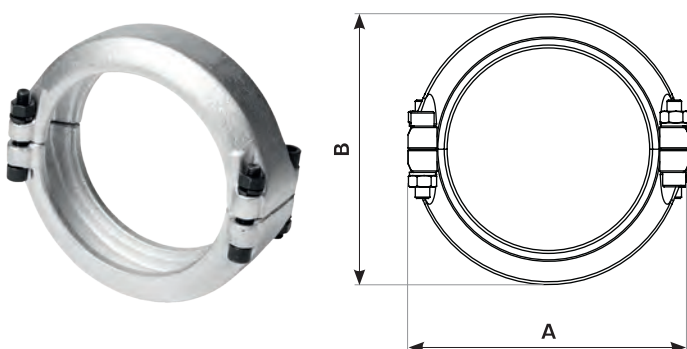
Reference	DN	A		B		⚖️		🕒	
	inch	mm	inch	mm	inch	kg	lbs	bar	psi
<b>25003003VG</b>	3"	189	7.44	122	4.80	2.60	5.73	100	1450
<b>25003403VG</b>	3" ¼	196	7.72	129	5.08	2.70	5.95	100	1450
<b>25004003VG</b>	4"	222	8.74	150	5.91	3.30	7.28	100	1450
<b>25004503VG</b>	4" ½	242	9.53	168	6.61	4.30	9.48	100	1450
<b>25005503VG</b>	5" ½	272	10.73	193	7.62	4.90	10.80	100	1450
<b>25006003VG</b>	6"	296	11.65	214	8.43	5.60	12.35	100	1450
<b>25006503VG</b>	6" ½	307	12.09	225	8.86	6.20	13.67	85	1233
<b>25007003VG</b>	7"	332	13.07	247	9.72	6.60	14.55	85	1233

### TWO-BOLT COUPLING



Reference	DN	A		B		⚖️		🕒	
	inch	mm	inch	mm	inch	kg	lbs	bar	psi
<b>25004502</b>	4" ½	202	7.95	167	6.57	3.30	7.28	85	1233
<b>25005502VG</b>	5" ½	230	9.06	193	7.60	4.10	9.04	125	1813

### FOUR-BOLT COUPLING

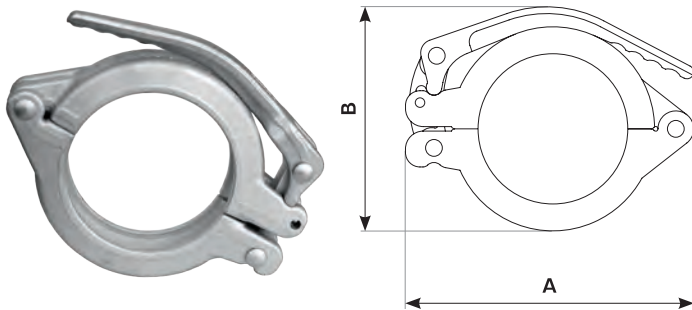


Reference	DN	A		B		⚖️		🕒	
	inch	mm	inch	mm	inch	kg	lbs	bar	psi
<b>25005528</b>	5"	193	7.60	187	7.36	4.2	9.04	130	1885



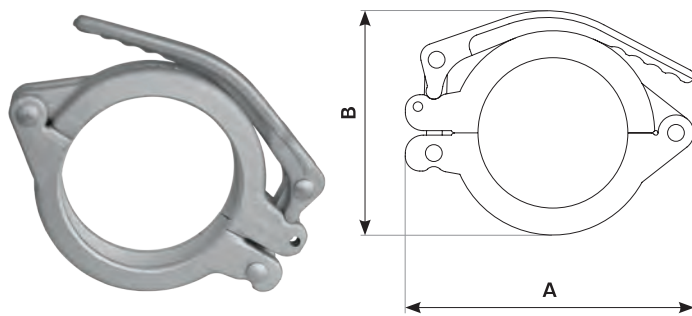
## CONICAL COUPLINGS

### FIXED LEVER COUPLING



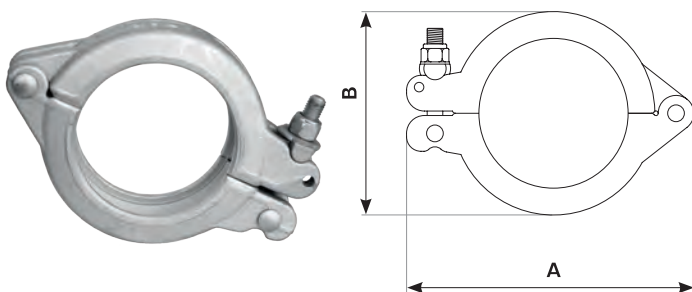
Reference	DN	A		B		Weight		Pressure	
	inch	mm	inch	mm	inch	kg	lbs	bar	psi
<b>25023013VG</b>	3" OR	196	7.72	146	5.75	2.70	5.95	150	2175
<b>25024013VG</b>	4" OR	242	9.53	186	7.32	4.60	10.14	150	2175
<b>25025013VG</b>	5" OR	272	10.73	204	8.03	5.50	12.13	150	2175
<b>25026013VG</b>	6" OR	307	12.09	249	9.80	7.00	15.43	150	2175
<b>25027013VG</b>	7" OR	343	13.50	276	10.87	8.40	18.52	150	2175

### ADJUSTABLE LEVER COUPLING



Reference	DN	A		B		Weight		Pressure	
	inch	mm	inch	mm	inch	kg	lbs	bar	psi
<b>25023001VG</b>	3" OR	196	7.72	146	5.75	2.60	5.73	150	2175
<b>25024001VG</b>	4" OR	242	9.53	186	7.32	4.50	9.92	150	2175
<b>25025001VG</b>	5" OR	272	10.73	204	8.03	5.40	11.90	150	2175
<b>25026001VG</b>	6" OR	307	12.09	249	9.80	6.80	14.99	150	2175
<b>25027001VG</b>	7" OR	343	13.50	276	10.87	8.50	18.74	150	2175

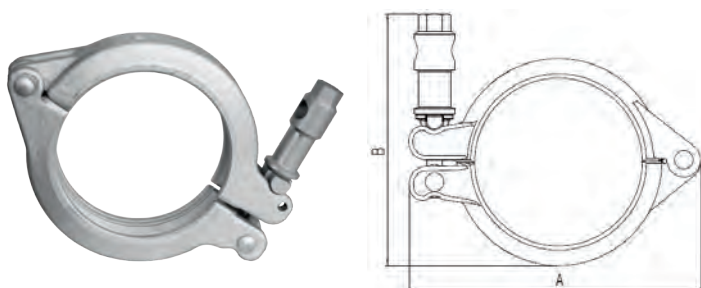
### ONE BOLT COUPLING



Reference	DN	A		B		Weight		Pressure	
	inch	mm	inch	mm	inch	kg	lbs	bar	psi
<b>25023003VG</b>	3" OR	196	7.72	129	5.08	2.30	5.07	150	2175
<b>25024003VG</b>	4" OR	242	9.53	168	6.61	4.00	8.82	150	2175
<b>25025003VG</b>	5" OR	272	10.73	193	7.62	4.50	9.92	150	2175
<b>25026003VG</b>	6" OR	307	12.09	225	8.86	5.70	12.57	150	2175
<b>25027003VG</b>	7" OR	343	13.50	256	10.08	7.20	15.87	150	2175

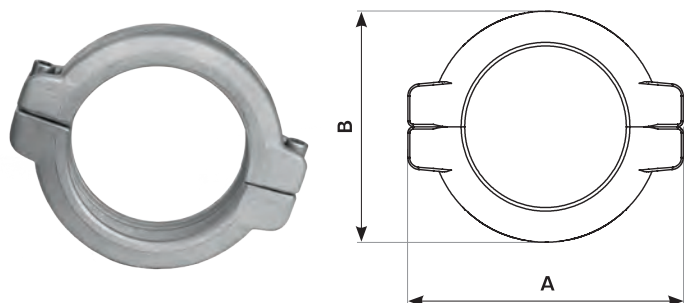
## COUPLINGS

### LONG ONE BOLT COUPLING



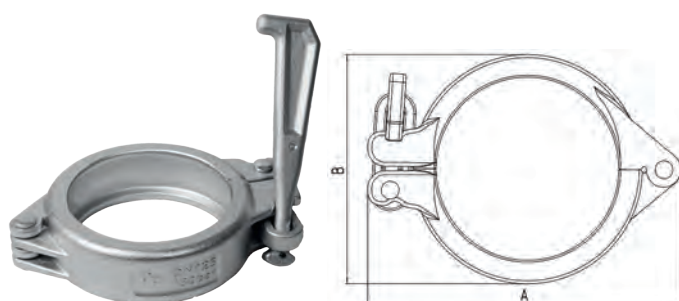
Reference	DN		A		B		⚖️		🕒	
	inch	mm	inch	mm	inch	mm	kg	lbs	bar	psi
<b>25026006VG</b>	6" OR	307	12.09	225	8.86	5.80	12.57	150	2175	
<b>25027006VG</b>	7" OR	343	13.50	256	10.08	7.30	15.87	150	2175	

### TWO-BOLT COUPLING



Reference	DN		A		B		⚖️		🕒	
	inch	mm	inch	mm	inch	mm	kg	lbs	bar	psi
<b>25024002VG</b>	4" OR	202	7.95	167	6.57	3.00	6.61	150	2175	
<b>25025002VG</b>	5" OR	230	9.06	193	7.60	3.80	8.39	150	2175	

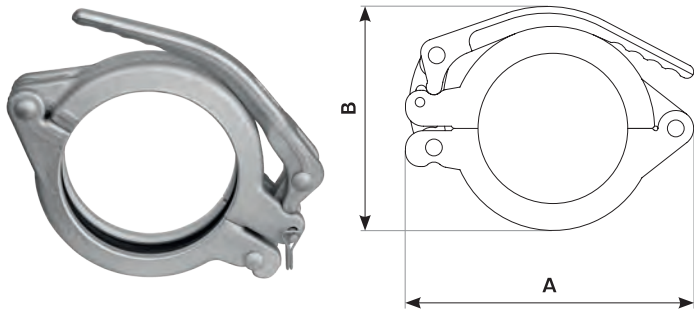
### WEDGE COUPLING



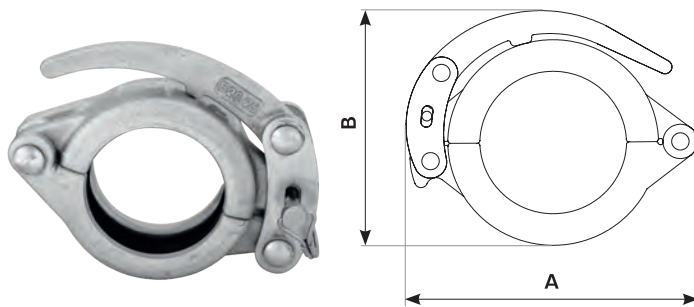
Reference	DN		A		B		⚖️		🕒	
	inch	mm	inch	mm	inch	mm	kg	lbs	bar	psi
<b>25026007VG</b>	6" OR	306	12.05	224	8.82	6	13.23	130	18.85	
<b>25027007VG</b>	7" OR	343	13.50	276	10.87	8.50	18.74	150	2175	

## HD COUPLINGS

### FIXED LEVER COUPLING

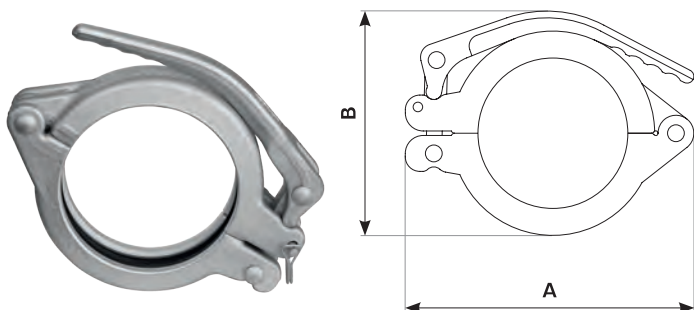


Reference	DN		A		B		⚖️		🕒	
	inch	mm	inch	mm	inch	mm	kg	lbs	bar	psi
<b>25092000VG</b>	2" HD	165	6.50	122	4.80	2.20	4.85	150	2175	
<b>25092500VG</b>	2 1/2" HD	174	6.85	130	5.12	2.50	5.51	150	2175	
<b>25083000VG</b>	3" HD	198	7.80	144	5.75	2.70	5.95	85	1233	
<b>25084000VG</b>	4" HD	242	9.53	186	7.32	4.80	10.58	85	1233	
<b>25085000VG</b>	5" HD	272	10.73	204	8.03	5.60	12.35	85	1233	
<b>25096000VG</b>	6" HD	317	12.48	253	9.96	9.00	19.84	150	2175	



Reference	DN		A		B		⚖️		🕒	
	inch	mm	inch	mm	inch	mm	kg	lbs	bar	psi
<b>25082000VG</b>	2" HD	160	6.30	121	4.80	1.50	3.31	85	1233	

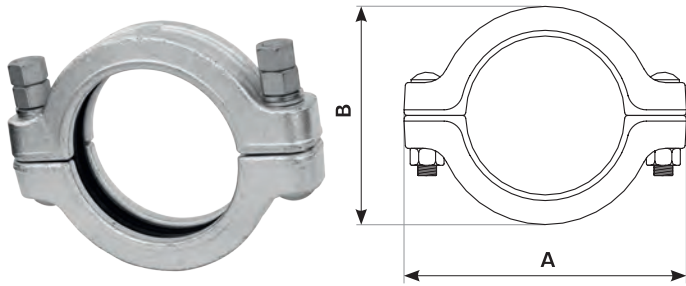
### ADJUSTABLE LEVER COUPLING



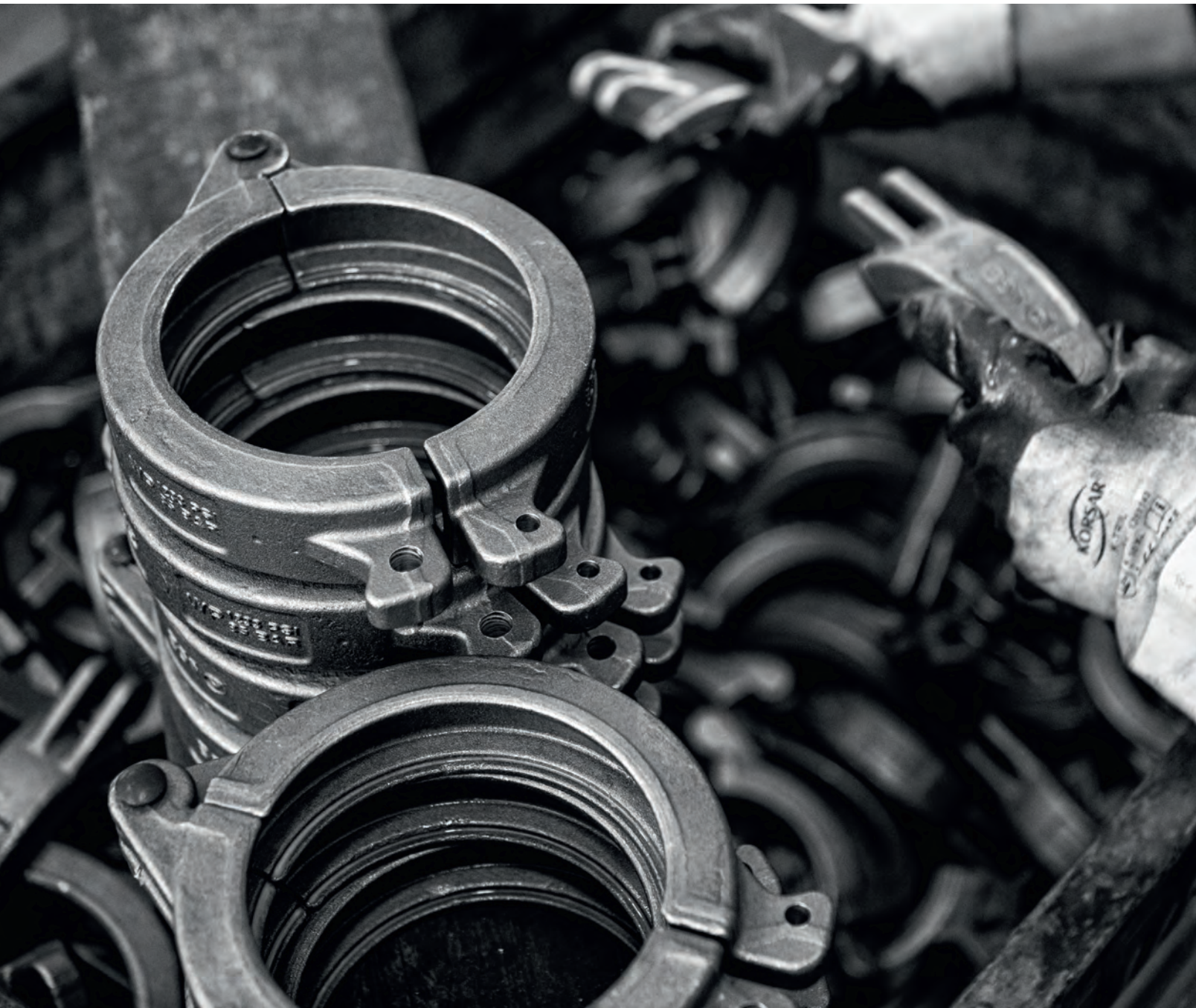
Reference	DN		A		B		⚖️		🕒	
	inch	mm	inch	mm	inch	mm	kg	lbs	bar	psi
<b>25092001VG</b>	2" HD	165	6.50	122	4.80	2.20	4.85	150	2175	
<b>25092501VG</b>	2 1/2" HD	174	6.85	130	5.12	2.50	5.51	150	2175	
<b>25083001VG</b>	3" HD	198	7.80	144	5.75	2.70	5.95	85	1233	
<b>25084001VG</b>	4" HD	240	9.45	180	7.09	4.10	9.04	85	1233	
<b>25085001VG</b>	5" HD	272	10.73	204	8.03	5.50	12.13	85	1233	
<b>25096001VG</b>	6" HD	317	12.48	253	9.96	8.90	19.62	150	2175	

## COUPLINGS

### TWO-BOLT COUPLING



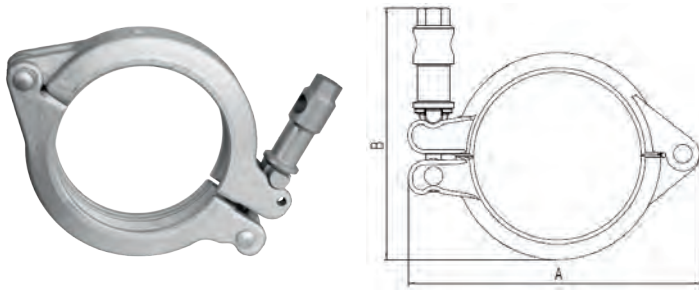
Reference	DN	A		B		⚖️		🕒	
	inch	mm	inch	mm	inch	kg	lbs	bar	psi
<b>25095002VG</b>	5" HD	272	10.71	204	8.03	6.60	14.55	150	2175
<b>25075002VG</b>	5" HD	272	10.71	204	8.03	7.00	15.43	300	4351





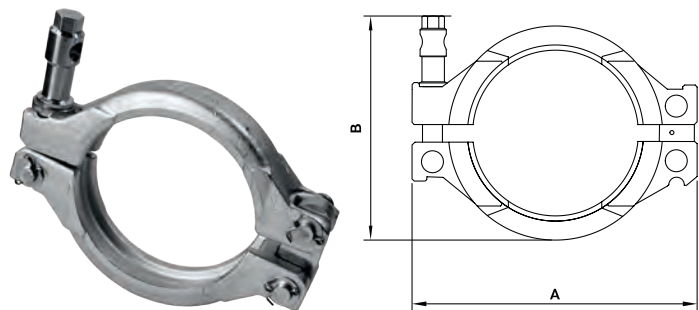
## ZX COUPLINGS

### LONG ONE BOLT COUPLING



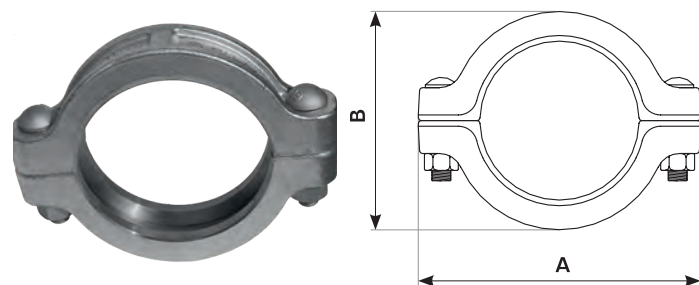
Reference	DN		A		B		⚖️		🕒	
	inch	mm	inch	mm	inch	mm	kg	lbs	bar	psi
<b>25045006VG</b>	5" ZX	287	11.30	235	9.25	5,6	12,35	220	3191	

### LONG ONE BOLT COUPLING WITH SPECIAL FIXING HINGE



Reference	DN		A		B		⚖️		🕒	
	inch	mm	inch	mm	inch	mm	kg	lbs	bar	psi
<b>25046026</b>	6" ZX	325	12.79	275	10.83	8,8	19,40	150	2175	

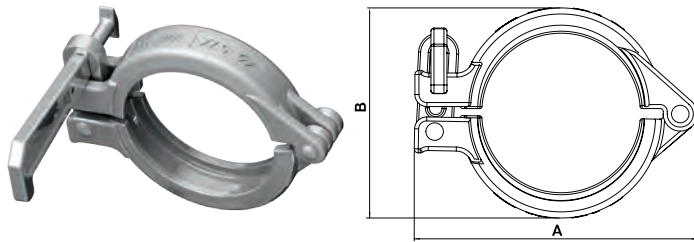
### TWO-BOLT ZX COUPLING



Reference	DN		A		B		⚖️		🕒	
	inch	mm	inch	mm	inch	mm	kg	lbs	bar	psi
<b>25045002V</b>	5" ZX	272	10.71	204	8.03	6,50	14,33	150	2901	

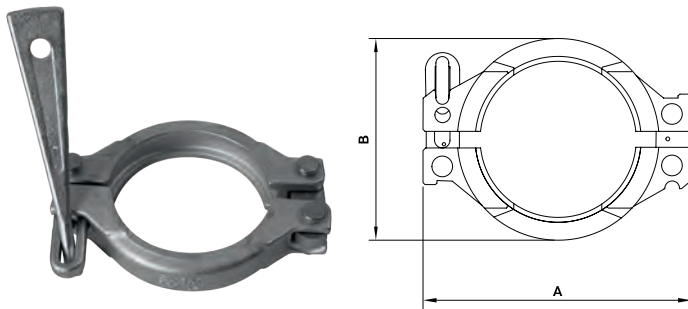
## COUPLINGS

### COUPLING WITH WEDGE



Reference	DN		A		B		⚖️		🕒	
	inch	mm	inch	mm	inch	mm	kg	lbs	bar	psi
<b>25045007VG</b>	5" ZX	282	11.10	209	8.23	209	6	13.23	220	3191

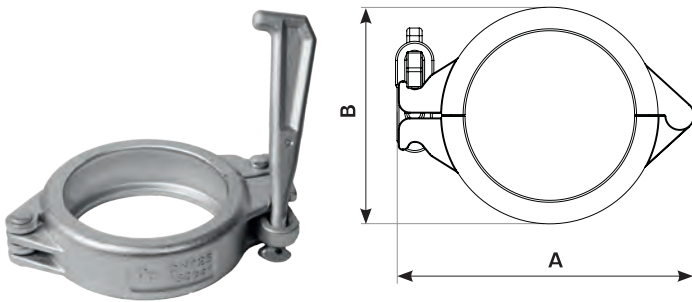
### WEDGE COUPLING WITH SPECIAL FIXING HINGE



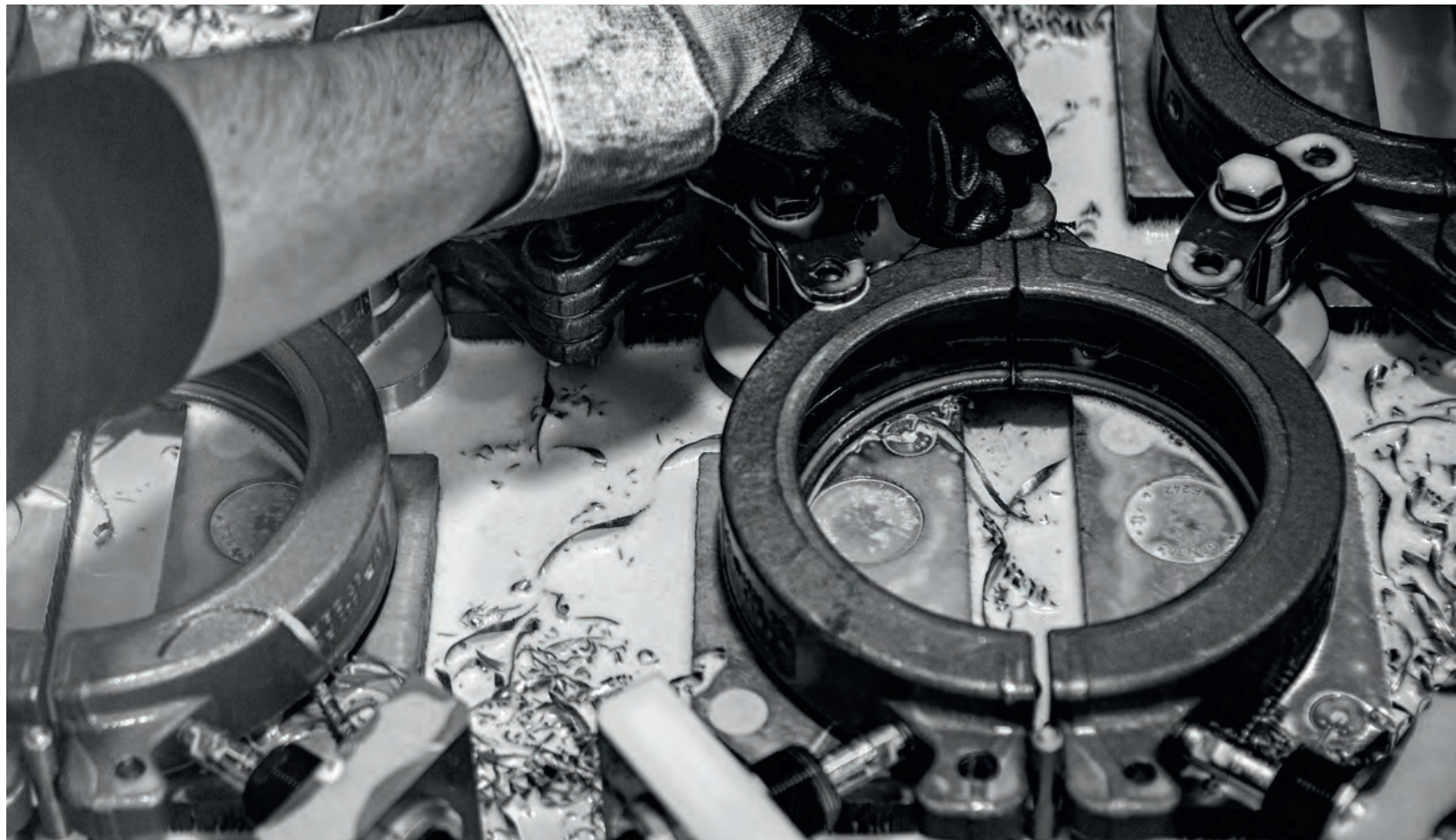
Reference	DN		A		B		⚖️		🕒	
	inch	mm	inch	mm	inch	mm	kg	lbs	bar	psi
<b>25046027</b>	6" ZX	325	12.79	235	13.19	235	10	22.05	150	2175

## M/F COUPLINGS

### WEDGE COUPLING



Reference	DN	A		B		⚖️		🕒	
	inch	mm	inch	mm	inch	kg	lbs	bar	psi
<b>25035007</b>	5" SCH	273	10.75	192	7.56	5.95	13.12	130	1885
<b>25036007</b>	6" SCH	300	11.81	221	8.7	6.5	14.33	85	1233

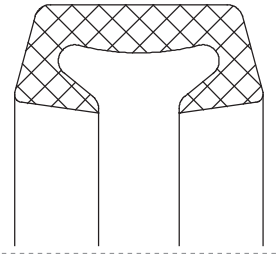




## GASKETS

### SK (VICTAULIC) SYSTEM

#### Standard type

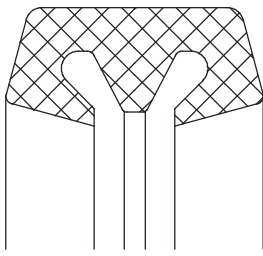


Reference	Inches
240002000	2"
240002500	2" ½
240003000	3"
240003400	3" ¼
240004000	4"
240004500	4" ½
240005000	5"
240005500	5" ½
240006000	6"
240006500	6" ½
240007000	7"
240008000	8"

We manufacture gaskets in **SBR**, **NBR** and **EPDM** rubber, 100% Italian production. These high-quality rubber types make the gaskets stronger and resistant to solvents and hydrocarbons, increasing their lifetime and reducing maintenance costs. We provide gaskets for any kind of couplings: metric (SK), HD, conical, M/F and ZX systems.

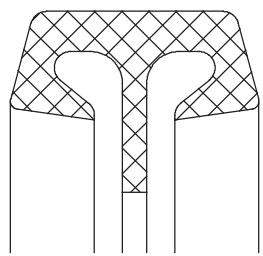
SK gaskets are made of EPDM ShA 70+0-5  
 HD, Conical, M/F and ZX gaskets are made of SBR ShA 65+0-5  
 M/F gaskets are made of NBR ShA 75+0-5  
 ZX gaskets are made of NBR ShA 90+0-5

#### High reinforcement



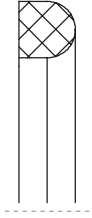
Reference	Inches
240004502	4" ½
240005502	5" ½

#### Tri-lip



Reference	Inches
240004503	4" ½
240005503	5" ½

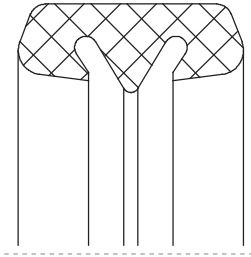
## CONICAL SYSTEM



Reference	Inches
240023000	3" Z
240024000	4" Z
240025000	5" Z
240026000	6" Z
240027000	7" Z

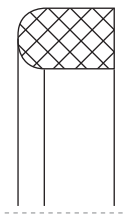


## HD SYSTEM



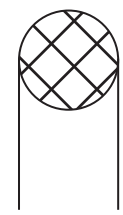
Reference	Inches
240082000	2" HD
240082500	2" ½ HD
240083000	3" HD
240084000	4" HD
240085000	5" HD
240086000	6" HD

## M/F SYSTEM



Reference	Inches
240074000	4"
240075000	5"
240076000	6"

## ZX SYSTEM

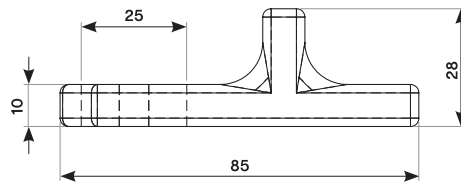
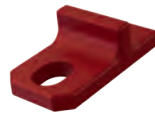
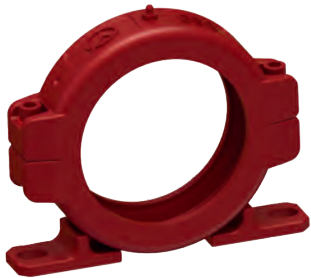


Reference	Inches
240095000	5"

## BASE PLATES FOR COUPLINGS

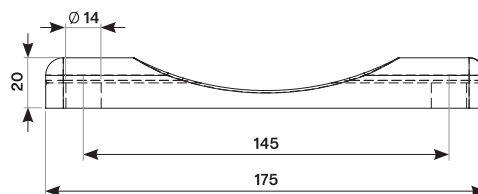
Base plates with one or two holes can be applied in all our couplings.

### SINGLE HOLE BASE PLATE



Reference	Description
26002001	Base plate

### TWO HOLES BASE PLATE



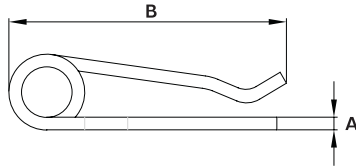
Reference	Description
26001001	Base plate



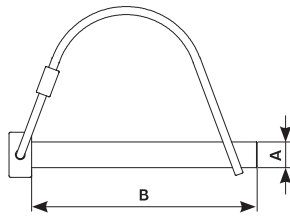


## SAFETY PINS

Safety pins for couplings, available in different shapes and dimensions and made in accordance to CE EN 12001 law, which states that safety pins must be always applied on couplings.



Reference	A mm	B mm
0018878004	5	110

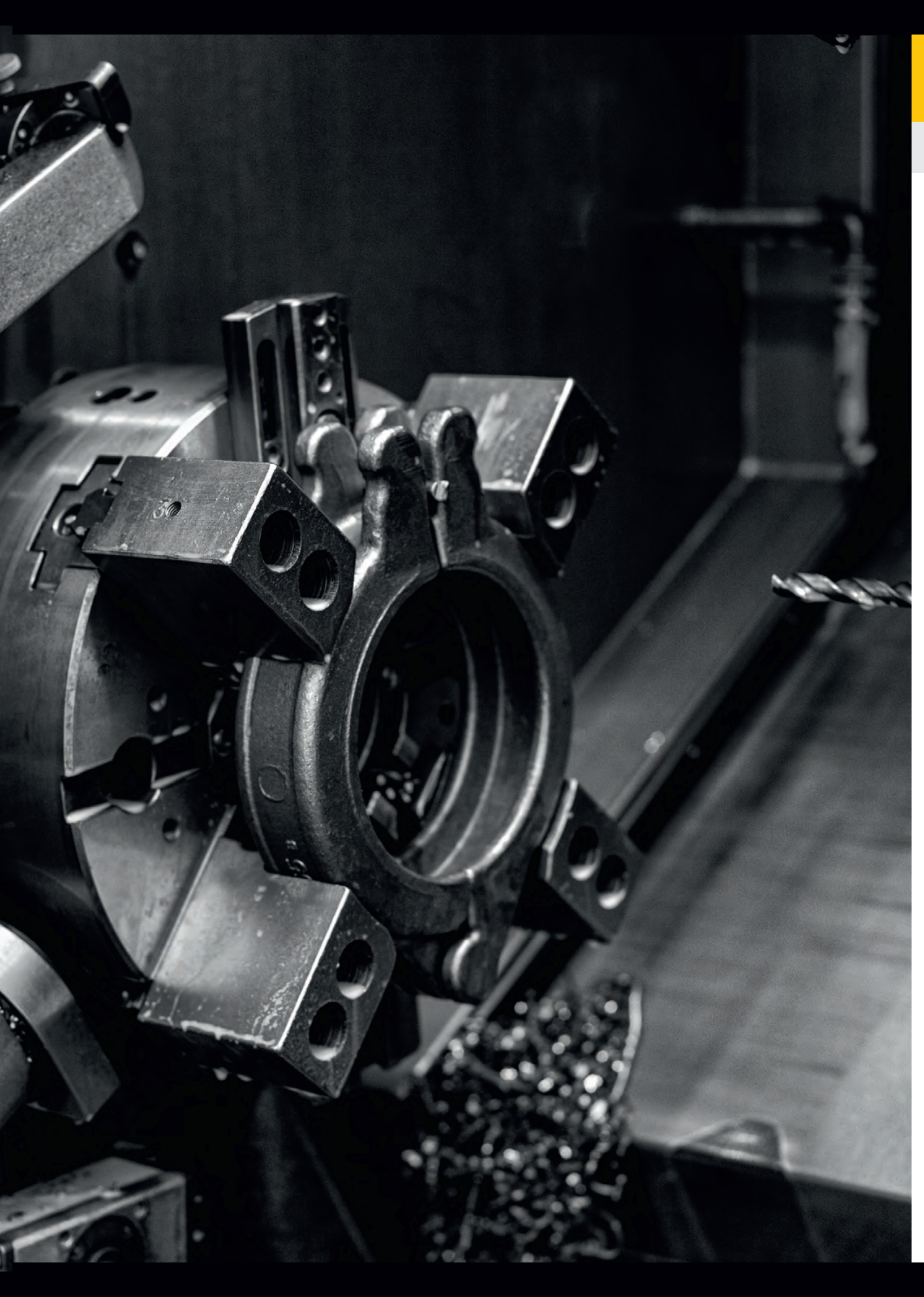


Reference	A mm	B mm
SS65X56WL	6.5	56
SS65X70WL	6.5	70
SS08X70WL	8	70

## SAFETY SLING

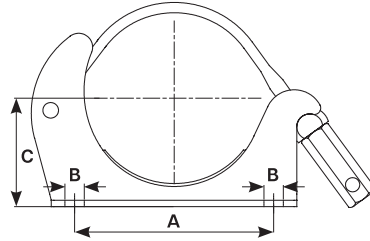


Reference	
Safety Sling	Double Choker Sling



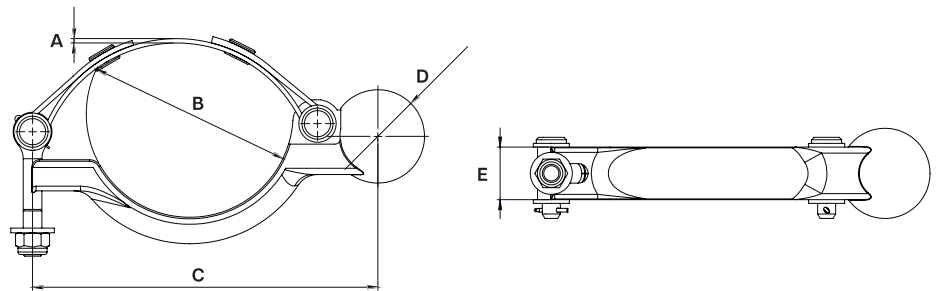
## PIPELINES SUPPORTS

### BOLT-ON SUPPORT



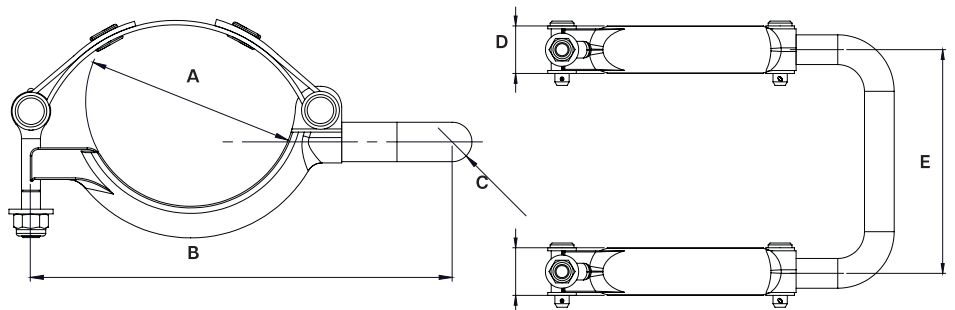
Reference	Description	A mm	B mm	C mm
26010000	Bolt-on support for DN100 pipeline	128	14.50	67
26012500	Bolt-on support for DN125 pipeline	154	14.50	84

### WELD-ON SINGLE SUPPORT



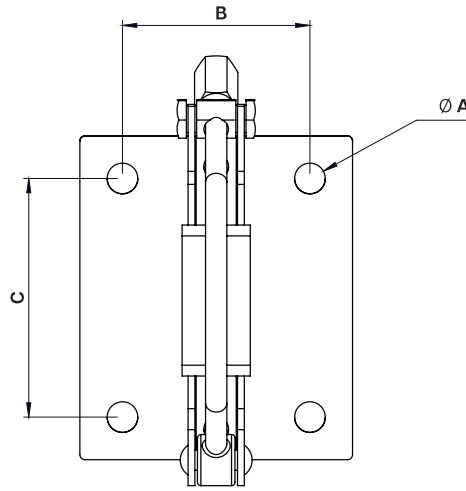
Reference	Description	A mm	B mm	C mm	D mm	E mm
26012502	Weld-on single support for DN125 pipeline	3	133	218	60	40

### WELD-ON DOUBLE SUPPORT

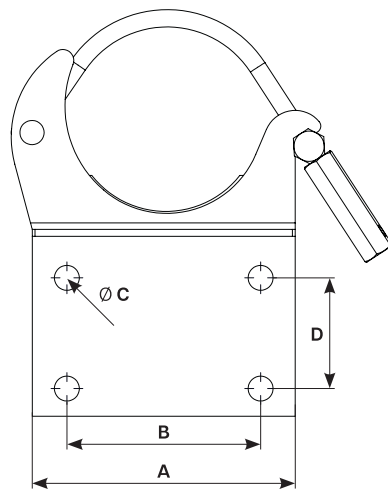


Reference	Description	A mm	B mm	C mm	D mm	E mm
26012503	Weld-on double support for DN125 pipeline	133	267	25	40	188

## SUPPORTS FOR WALL FIXING

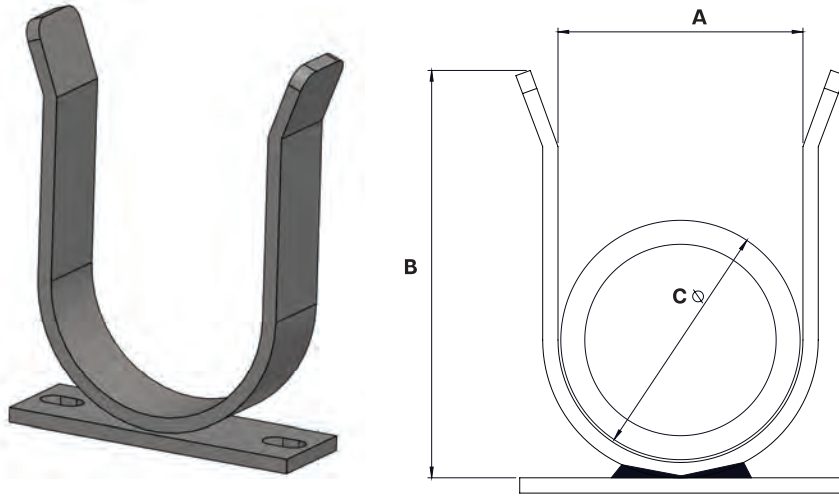


Reference	Description	A mm	B mm	C mm
26012504	Bolt-on wall fixing support for DN125 pipeline	18	110	140



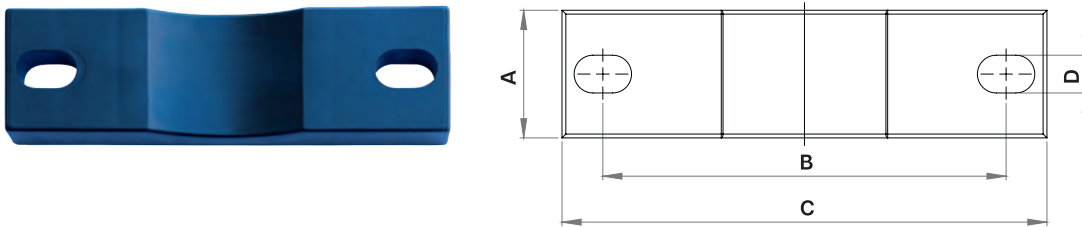
Reference	Description	A mm	B mm	C mm	D mm
26012505	Bolt-on wall fixing support for DN125 pipeline – right angular	190	140	18	80
26012506	Bolt-on wall fixing support for DN125 pipeline – left angular	190	140	18	80

## SUPPORT FOR RUBBER HOSE



Reference	Description	A	B	Ø
26000007	"U" shaped support for rubber hose DN 100 mm	128	213	125

## SUPPORT



Reference	Description	A mm	B mm	C mm	D mm
26004000	DN100 Plastic support DN100	50	132	164	15
26005000	DN125 Plastic support DN125	50	158	190	15

## CLEANING BALLS

Sponge balls available in various diameters and densities:

**soft, medium and hard.**

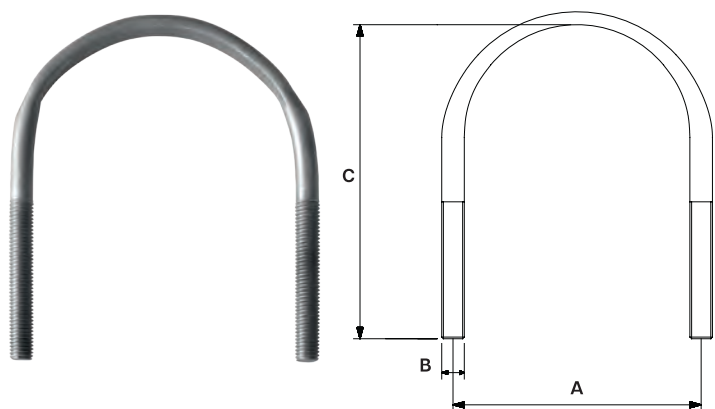
Material: natural orange rubber. Sponge balls are not suitable for food industry.



Reference	DN mm	Type	Cell structure	Weight kg	Density
23302500	25	Soft	Large Holes	0.001	160-180 kg/m <sup>3</sup>
23302501	25	Medium	Medium Holes	0.001	210/230 kg/m <sup>3</sup>
23302502	25	Hard	Small Holes	0.001	310/330 kg/m <sup>3</sup>
23303000	30	Soft	Large Holes	0.001	160-180 kg/m <sup>3</sup>
23303001	30	Medium	Medium Holes	0.004	210/230 kg/m <sup>3</sup>
23303002	30	Hard	Small Holes	0.004	310/330 kg/m <sup>3</sup>
23303500	35	Soft	Large Holes	0.004	160-180 kg/m <sup>3</sup>
23303501	35	Medium	Medium Holes	0.005	210/230 kg/m <sup>3</sup>
23303502	35	Hard	Small Holes	0.006	310/330 kg/m <sup>3</sup>
23304000	40	Soft	Large Holes	0.006	160-180 kg/m <sup>3</sup>
23304001	40	Medium	Medium Holes	0.006	210/230 kg/m <sup>3</sup>
23304500	45	Soft	Large Holes	0.01	160-180 kg/m <sup>3</sup>
23304502	45	Hard	Small Holes	0.016	310/330 kg/m <sup>3</sup>
23305000	50	Soft	Large Holes	0.016	160-180 kg/m <sup>3</sup>
23305001	50	Medium	Medium Holes	0.016	210/230 kg/m <sup>3</sup>

Reference	DN mm	Type	Cell structure	Weight kg	Density
23305002	50	Hard	Small Holes	0.02	310/330 kg/m3
23306000	60	Soft	Large Holes	0.035	160-180 kg/m3
23306002	60	Hard	Small Holes	0.055	310/330 kg/m3
23308000	80	Soft	Large Holes	0.041	160-180 kg/m3
23308001	80	Medium	Medium Holes	0.05	210/230 kg/m3
23308002	80	Hard	Small Holes	0.09	310/330 kg/m3
23309000	90	Soft	Large Holes	0.07	160-180 kg/m3
23310000	100	Soft	Large Holes	0.1	160-180 kg/m3
23310001	100	Medium	Medium Holes	0.09	210/230 kg/m3
23310002	100	Hard	Small Holes	0.136	310/330 kg/m3
23312500	125	Soft	Large Holes	0.16	160-180 kg/m3
23312501	125	Medium	Medium Holes	0.3	210/230 kg/m3
23312502	125	Hard	Small Holes	0.328	310/330 kg/m3
23313001	130	Medium	Medium Holes	0.268	210/230 kg/m3
23315000	150	Soft	Large Holes	0.4	160-180 kg/m3
23315001	150	Medium	Medium Holes	0.4	210/230 kg/m3
23315002	150	Hard	Small Holes	0.5	310/330 kg/m3
23317500	175	Soft	Large Holes	0.5	160-180 kg/m3
23317501	175	Medium	Medium Holes	0.6	210/230 kg/m3
23317502	175	Hard	Small Holes	0.82	310/330 kg/m3
23320000	200	Soft	Large Holes	0.68	160-180 kg/m3
23320001	200	Medium	Medium Holes	0.85	210/230 kg/m3

## U-SHAPED SUPPORT



Reference	Description	A mm	B mm	C mm
<b>26004100</b>	Bolt-on u-shaped support DN100	128	M14	172
<b>26005100</b>	Bolt-on u-shaped support DN125	154	M14	195

## BRACKETS



Reference	Description	A mm
<b>FB500</b>	Suitable for DN100 & DN125 pipe Channel Floor bracket	500

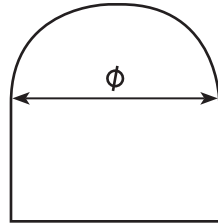


Reference	Description	A mm
<b>PSB/150</b>	Suitable for DN100 & DN125 pipe Floor / Wall Bracket 150mm	150
<b>PSB/300</b>	Suitable for DN100 & DN125 pipe Floor / Wall Bracket 300mm	300



## CLEANING CYLINDERS

Sponge cleaning cylinders have a larger cleaning surface thanks to their cylindrical shape.



Reference	Soft	Ø mm	gr / dmc
23312510	✓	125	150/180
23315010	✓	150	150/180

## GO-DEVILS

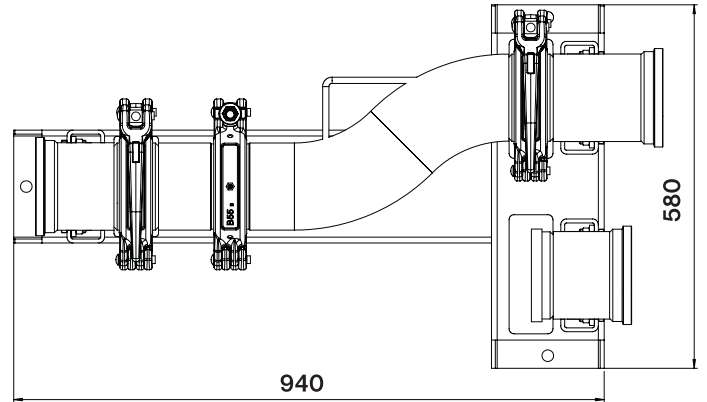
We manufacture polyurethane go-devils, 75 shore hard. They guarantee a very high wear resistance and they are perfect to clean out long straight pipelines.



Reference	Ø mm
23312510/GR	125

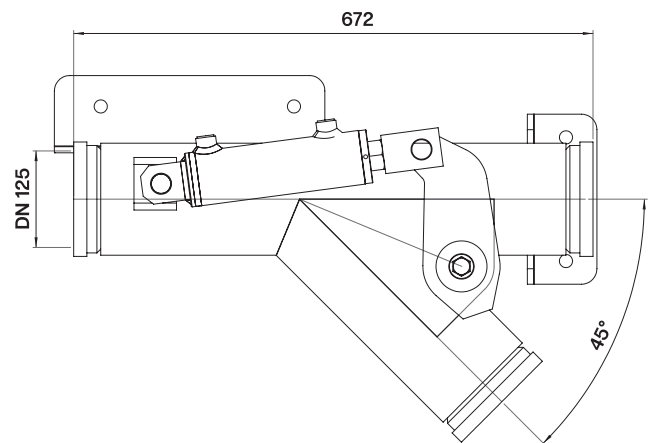


## MANUAL DEVIATOR



2 - way	DN mm	Bar	Kg
DEV.M2.45	100	85	73
DEV.M2.55	125	85	81

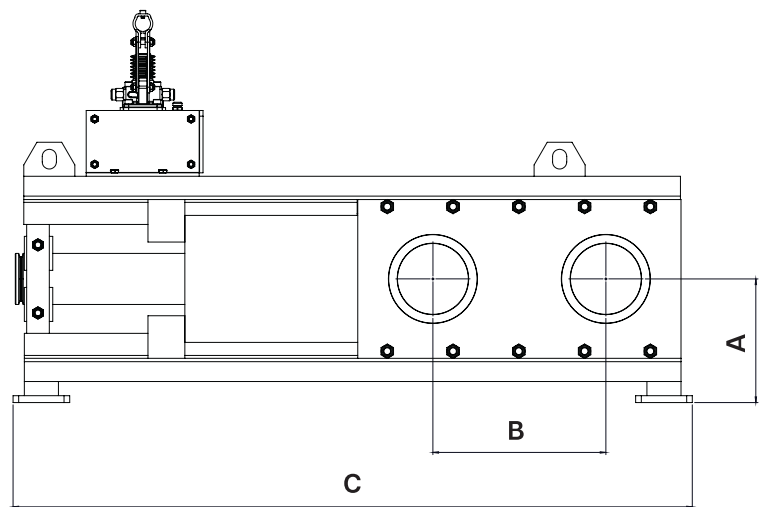
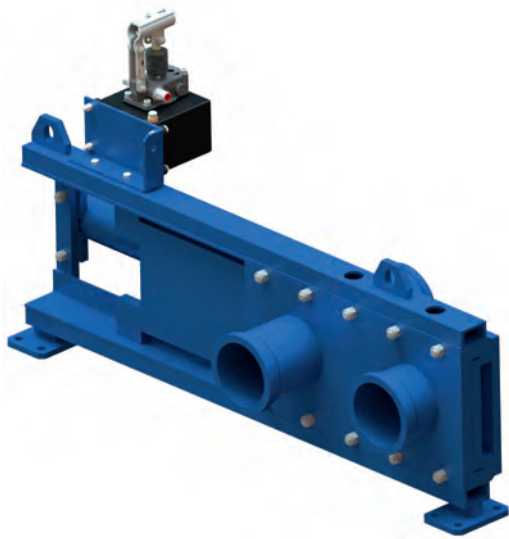
## HYDRAULIC DIVERTER



Reference	Description
DEVHD.M2.55	Hydraulic diverter DN 125, 5" 1/2 collars
DEVHD.M2.5HD	Hydraulic diverter DN 125, 5" HD collars

## HORIZONTAL DIVERTER

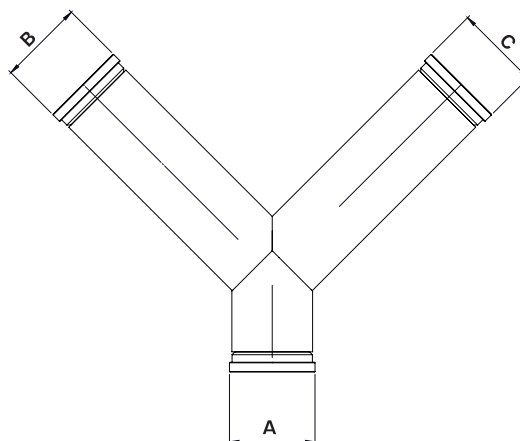
The hydraulic diverter for **DN125** pipes is made of high-strength steel with 7 mm thick S355 (ST52) pipe connections. It is characterized by an extreme **easiness of use** as well as **very compact dimensions**, thanks to the hydraulic cylinder controlled by a special manual pump integral with the frame itself. It also allows to the operator a rapid exchange on 2 different lines of concrete distribution.



Reference	A mm	B mm	C mm	Collars Inches
DEVHD.M2.HO.55	218	305	1198	5"1/2
DEVHD.M2.HO.5HD	218	305	1198	5"HD

## Y DIVERTER

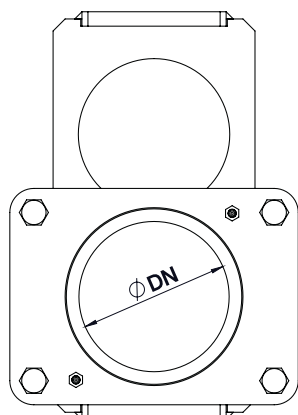
The **Y-shaped** fitting pipe made of S355 (ST52) steel, for **DN100** and **DN125** pipes allows branches to be made from the main line to reach various points of use. It can be produced with any connection system desired by the customer.



Reference	DN A mm	DN B mm	DN C mm	Collars Inches
<b>DEV.Y.45</b>	100	100	100	4"1/2
<b>DEV.Y.55</b>	125	125	125	5"1/2

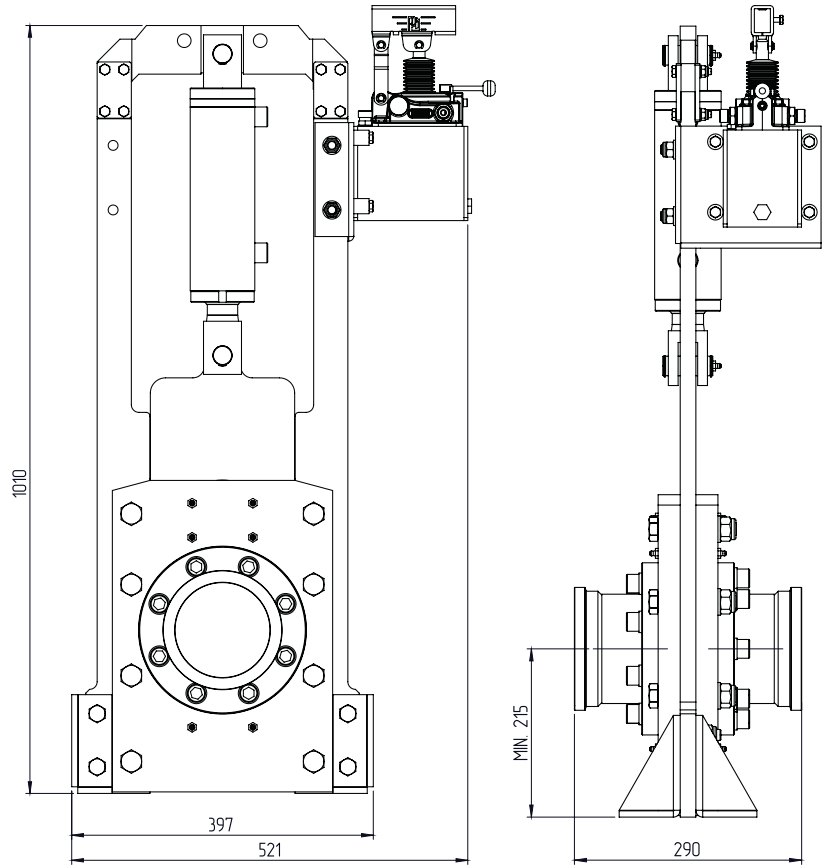
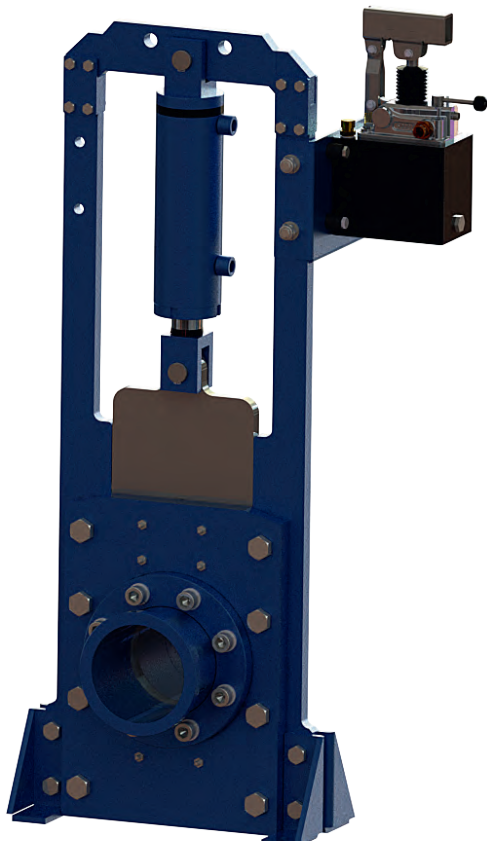
## MANUAL SHUT-OFF VALVE

Manual shut-off valve to block the flow of concrete. Available for DN 75 up to DN 150 pipelines with greaser.



Reference	DN	Type	Inch	bar	kg
GH65.30	65	STD	3" SK	85	16
GH75.30	75	STD	3" SK	85	16.8
GH75.34	75	STD	3"1/4 SK	85	17
GH100.45	100	STD	4"1/2 SK	85	19.6
GH100.45/L	100	Light	4"1/2 SK	85	16.1
GH100.45/130	100	High Pressure	4"1/2 SK	130	21
GH125.55	125	STD	5"1/2 SK	85	18.6
GH125.55/130	125	High Pressure	5"1/2 SK	130	22.7
GH125.55/L	125	Light	5"1/2 SK	85	15.2
GH125.ORZ	125	STD	5"ORZ	85	19.8
GH125.5HD	125	STD	5"HD	85	33
GH125.5HD/130	125	High Pressure	5"HD	130	25
GH150.60	150	STD	6"SK	85	40

## HYDRAULIC SHUT-OFF VALVE



Reference	Description
<b>GHHD125.55</b>	Hydraulic shut-off valve DN125 with 5"1/2" collars
<b>GHHD125.5HD</b>	Hydraulic shut-off valve DN125 with 5"HD collars
Technical features	
<b>Weight</b>	123 kg
<b>Maximum working pressure</b>	130 Bar
<b>Usage</b>	Blocking the flow of concrete in ground pipelines and tunnelling
<b>Diameter</b>	125 mm with all types of flanges
<b>Activation</b>	Hydraulic

## CLEANOUT PIPE

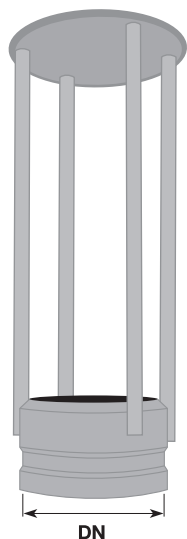
Cleanout pipe for ground pipelines, powered by compressed air or water, is used to clean the pipeline with the sponge ball. Available for pipelines from DN 50 up to DN 125.



Reference	DN mm
CL050302R	50
CL065302R	65
CL075302R	75
BOC452R	100
BOC552R	125
BOC50HD2R	125

## BALL-CATCHER PIPE

This device lets the operator catch the ball after its cleanout cycle. Available for DN 50 and DN 125 pipelines.



Reference	DN mm
CST05030	50
CST06530	65
CST07530	75
CST10045	100
CST12555	125
CST1255ORZ	125
CST1255HD	125

## HOSE PLACING DISKS

### STANDARD HOSE PLACING DISK



Reference	Description
<b>FOND100</b>	Hose placing disk for rubber hose DN 100
<b>FOND125</b>	Hose placing disk for rubber hose DN 125

### HOSE PLACING DISK WITH COUPLING



Reference	Description
<b>FOND100.45G</b>	Hose placing disk for rubber hose DN 100
<b>FOND125.55G</b>	Hose placing disk for rubber hose DN 125

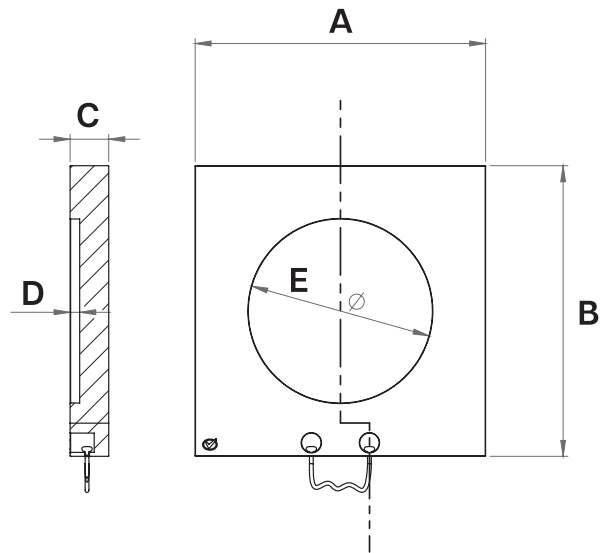
## SECURITY CABLE



Reference	Description
<b>CS.THD</b>	Security cable for rubber hose

## STABILIZATION PLATES

We supply stabilization plates for concrete pumps. All models are equipped with a handle to make movement and placement easier. We can produce plates of any kind of dimensions, both in **regenerated PEHD**, for standard applications, and in **virgin PEHD**, for loads bigger than 25.000 kg, thicker than 70 mm. More sizes are available upon request.



Stabilization plates						
Reference	A mm	B mm	C mm	D mm	E mm	Material
11232090	500	500	60	5	300	Fine Black
11232091	600	600	60	5	350	Fine Black
11232091/80	600	600	80	20	380	PEHD Virgin
0000570943V	600	600	50	/	/	Fine Black

Fine Black Stabilization plates	
Technical features	
Colour	Black
Density	≥ 940 kg/m <sup>3</sup>
ensile strength	≥ 13 Mpa
Elongation at break	≥ 100 %
Shore hardness D 15s value	60-65
Abrasion resistance	≤ 300 %

PEHD Virgin Stabilization plates		
Technical features		
Tensile strength	N/mm <sup>2</sup>	28
Shore hardness	DIN 53 505 - ISO 2 868	63
Thermal conductivity	DIN 52 612	0.40 W/m x k
Impact strength Charpy	DIN 53 453 - ISO 179	No break





**Camfaud**

## Premier Pumping aid

**Premier Pumping Aid** is used to prime concrete pumps and pipes for pressure reduction and capacity improvement as efficient replacement of traditional cement slurry.

### Technical Data

Additive:	Polymer
Bulk density (20 °C):	0,60 ± 0,02 g/cm <sup>3</sup>
Cl-content:	≤ 0,10 M.-%
Colour and form:	white powder
Recommended range of dosage:	230 g 15 – 20 dm <sup>3</sup> water

### Effects

- Reduction of shear forces within pumps and pipes
- No impact to concrete quality
- Ready to use in < 10 minutes

### Application

**Premier Pumping Aid** has to be added to cold water and mixed properly for at least 1 minute. Leave the mix without mixing for at least 5 minutes, the remix again for 1 minute to achieve a oily and slicky solution.

### Conformity / Admission

**Premier Pumping Aid** is permanently subject to internal factory production controls.

### Storage

Storage life is **24 months** from date of manufacture if stored correctly (dry).

- Keep card boxes and bottles **tightly closed**.
- Protect product from **moisture!**

### Dosage - Number of bags by pipe diameter and length:

Delivery Pipe Diameter	Delivery Pipe Length (m)							
	10m	20m	30m	40m	50m	100m	150m	200m
50 mm	1	1	1	1	1	2	2	3
65 mm	1	1	1	1	1	2	2	4
75 mm	1	1	1	1	2	2	3	5
100 mm	1	1	1	2	2	3	4	6
125 mm	1	1	1	2	2	3	5	7
150 mm	1	1	2	3	3	4	7	8



Scan the QR code for technical data

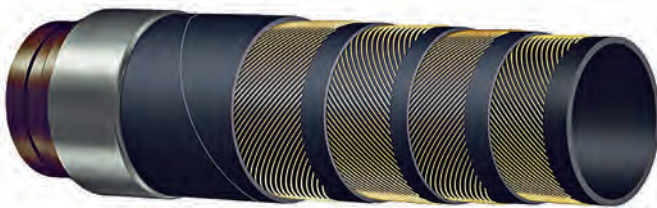


## CONCRETE HOSE



Our concrete pumping hose range guarantees outstanding performance and maximum safety in heavy duty applications, such as placement, tunnelling and piling. All hoses are specially designed to satisfy the most demanding conditions on construction sites:

- Excellent tube and cover abrasion resistance
- 170 bar (2500 psi), 200 bar (3000 psi), and 250 bar (3750 psi) minimum burst pressure options
- Lightweight construction
- Good flexibility
- High structural stability which avoids kinking, elongation and vibration while in operation
- Great vacuum resistance during cleaning
- Electrical conductivity along tube and cover
- Brand pictograms to highlight application hazards and safety warnings



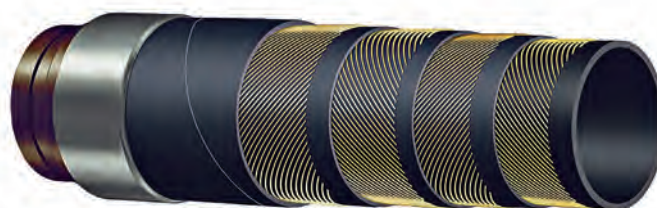
## Concrete pumping 100 bar (1500 psi) Heavy duty - Steel reinforced

- Tube: Black conductive NR - abrasion resistant
- Reinforcement: High tensile steel cords.
- Cover: Black conductive SBR/NR - abrasion and ozone resistant
- Application: High pressure concrete pumping.
- Temperature: -30°C + 80°C (-22°F +176°F)

ID (mm)	ID (in)	OD (mm)	OD (in)	WP (bar)	WP (psi)	BP (bar)	BP (psi)	BP (mm)	BP (in)	Weight (kg/m)	Weight (lb/ft)
51,0	2"	69,0	2,72	100	1500	200	3000	255	10,04	2,420	1,64
63,0	2 1/2"	85,0	3,35	100	1500	200	3000	315	12,40	3,550	2,39
65,0	2 9/16"	87,0	3,43	100	1500	200	3000	335	13,19	3,620	2,44
76,0	3"	100,0	3,94	100	1500	200	3000	380	14,96	4,600	3,10
90,0	3 1/2"	114,0	4,49	100	1500	200	3000	450	17,72	5,560	3,74
102,0	4"	126,0	4,96	100	1500	200	3000	510	20,08	6,650	4,47
127,0	5"	149,0	5,87	100	1500	200	3000	635	25,00	8,520	5,73
127,0	5"	153,0	6,02	100	1500	200	3000	635	25,00	9,910	6,66
152,0	6"	184,0	7,24	100	1500	200	3000	760	29,92	13,970	9,39

NEW UPGRADED PRESSURE RATING

100 bar (1500 psi) W.P. HEAVY DUTY CONCRETE PUMPING Ω ⚠ ⚙ ⌚ ⌚ ⌚



## Piling rig 125 bar (1875 psi) - Steel reinforced

- Tube: Black conductive NR - abrasion resistant
- Red overlaying layer for wear detection.
- Reinforcement: High tensile steel cords.
- Cover: Black conductive SBR/NR - abrasion and ozone resistant
- Application: High pressure concrete pumping.
- Specially designed for piling rig applications.
- Temperature: -30°C + 80°C (-22°F +176°F)

ID (mm)	ID (in)	OD (mm)	OD (in)	WP (bar)	WP (psi)	BP (bar)	BP (psi)	BP (mm)	BP (in)	Weight (kg/m)	Weight (lb/ft)
127,0	5"	156,0	6,14	125	1875	250	3750	635	25,00	11,940	8,03

125 bar (1875 psi) W.P. HIGH PRESSURE CONCRETE PUMPING Ω ⚠ ⚙ ⌚ ⌚ ⌚

## Pipe Track

Powered by Key2iD



### Our Services:

- ▶ Mobile Pressure Testing
- ▶ Thickness Testing
- ▶ Hose and Pipe Certification



#### CONTACT:

DAVID PRESLEY

+44 7780 211 673

david.presley@camfaud.co.uk

## Notes

---

---

---

---

---

---

---

---

---

---

---

---

---

---

---

---

---

---

---

---

---

---

---

---

---

# Premier

CONCRETE PUMPING LTD

## Contact Us

Scan the QR code for the person you require:



**Mark Henshaw - Plant Hire**

[Mark.Henshaw@premierconcretepumping.co.uk](mailto:Mark.Henshaw@premierconcretepumping.co.uk)

**07879 692 646**



**David Presley - Pipeline Requests**

[David.Presley@camfaud.co.uk](mailto:David.Presley@camfaud.co.uk)

**07780 211 673**



**Daniel Underhill - Special Projects**

[Daniel.Underhill@camfaud.co.uk](mailto:Daniel.Underhill@camfaud.co.uk)

**07884 748 261**

Scan the QR code for more information:



**Credit Account  
Application Form**



**Pipe Track**



**Contact Us Form**

### Head Office

Premier Concrete Pumping Limited, Greenfield Farm,  
Howe Lane, White Waltham, Maidenhead, Berkshire, SL6 3JP

Telephone: +44 (0)118 934 3772 | Fax: +44 (0)118 934 3394

Email: [info@premierconcretepumping.co.uk](mailto:info@premierconcretepumping.co.uk)