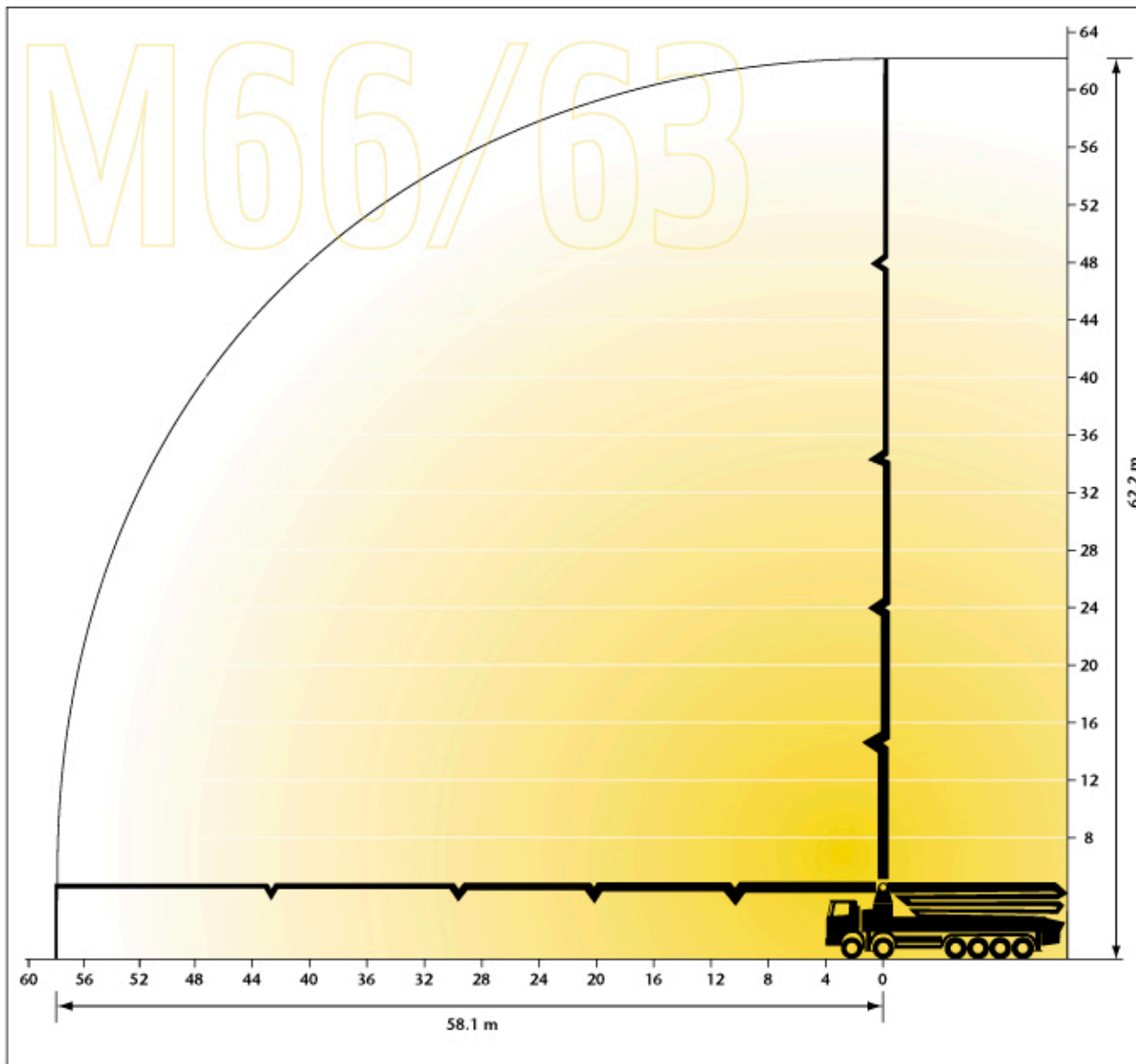
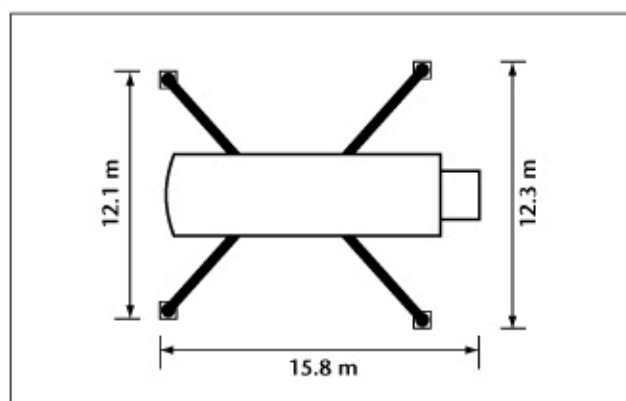


M66/63 – MOBILE CONCRETE BOOM PUMP



BOOM	M66/63
Maximum vertical reach	62.2 m
Maximum gross horizontal reach	58.1 m
Maximum net horizontal reach	53.4 m
Reach depth	46.3 m
Minimum unfolding height	23.0 m
Number of arms	5
Pipeline diameter	112 mm
Pump length	15.8 m
Front outrigger spread	12.1 m (with OSS 8.8 m)
Rear outrigger spread	12.3 m (with OSS 8.3 m)



M66/63 – Mobile Concrete Boom Pump

This information is given for guidance only. Due to fleet renewals and pump manufacturers' developments, the pumps supplied may differ slightly from specification outlined above. It is recommended that a site visit is requested if the exact pump dimensions are critical to the pumping operation.