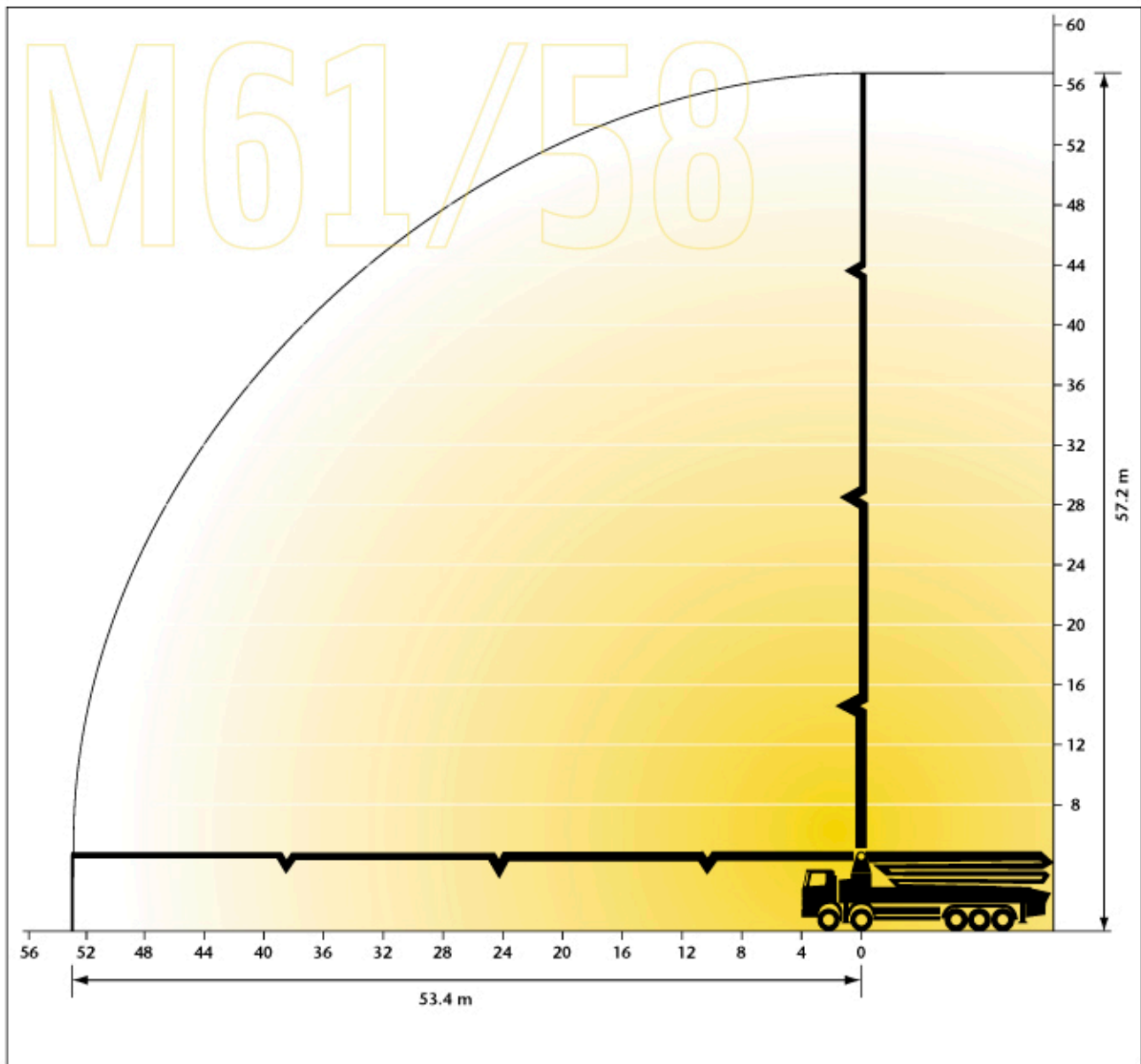
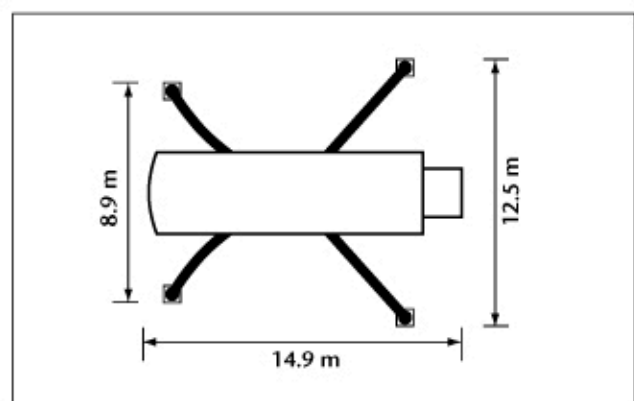


# M61/58 – MOBILE CONCRETE BOOM PUMP



BOOM	M61/58
Maximum vertical reach	57.3 m
Maximum gross horizontal reach	53.4 m
Maximum net horizontal reach	49.7 m
Reach depth	43.0 m
Minimum unfolding height	17.2 m
Number of arms	4
Pipeline diameter	125 mm
Pump length	14.9 m
Front outrigger spread	8.9 m (with OSS 5.7 m)
Rear outrigger spread	12.5 m (with OSS 7.5 m)



M61/58 – Mobile Concrete Boom Pump

This information is given for guidance only. Due to fleet renewals and pump manufacturers' developments, the pumps supplied may differ slightly from specification outlined above. It is recommended that a site visit is requested if the exact pump dimensions are critical to the pumping operation.