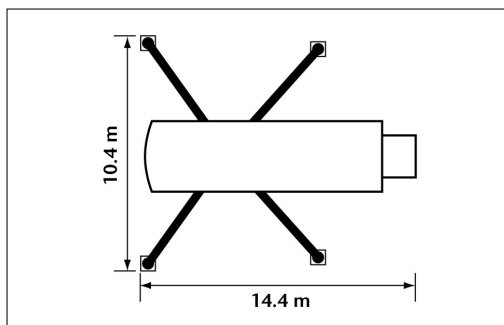
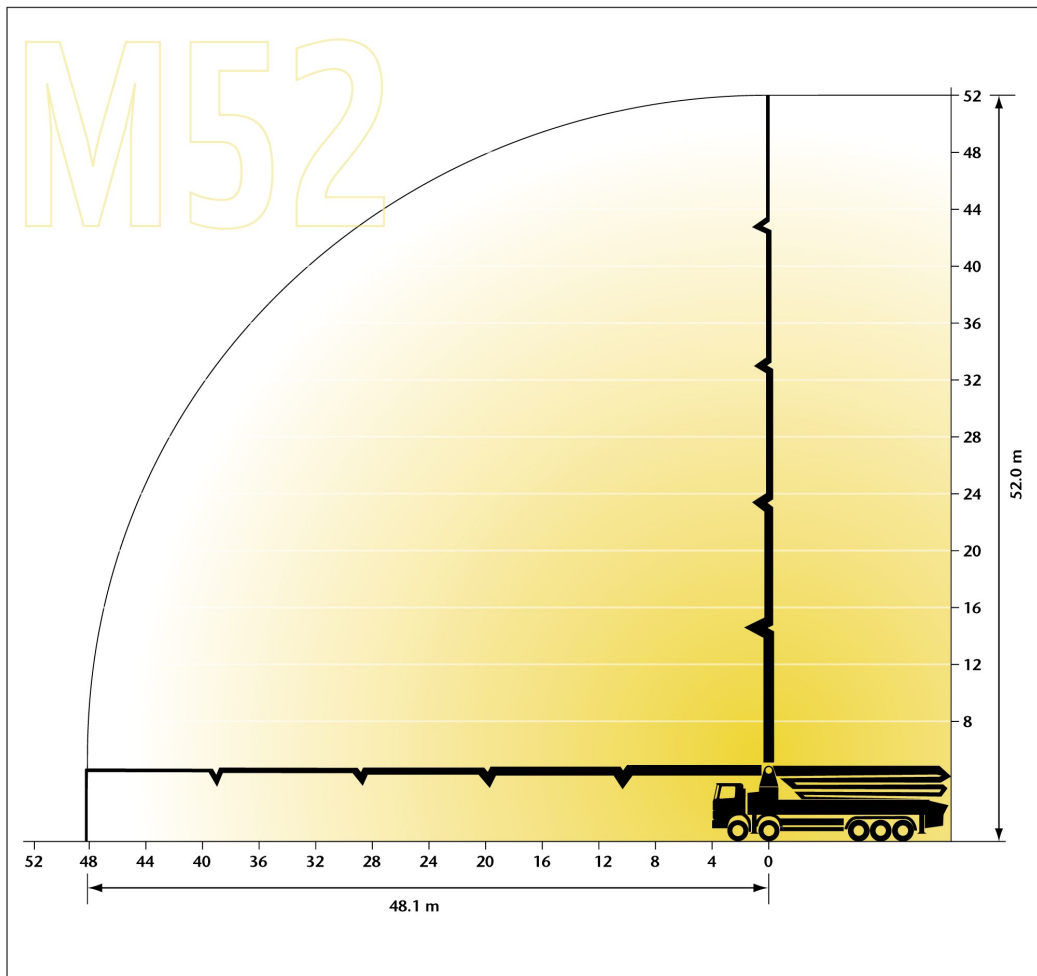


M52 – MOBILE CONCRETE BOOM PUMP



M52 – Mobile Concrete Boom Pump

BOOM	M52
Maximum vertical reach	52.0 m
Maximum gross horizontal reach	48.1 m
Maximum net horizontal reach	44.9 m
Reach depth	38.1 m
Minimum unfolding height	10.4 m
Number of arms	5
Pipeline diameter	125 mm
Pump length	14.4 m
Front outrigger spread	10.4 m (with OSS 7.0 m)
Rear outrigger spread	10.2 m (with OSS 6.5 m)

This information is given for guidance only. Due to fleet renewals and pump manufacturers' developments, the pumps supplied may differ slightly from specification outlined above. It is recommended that a site visit is requested if the exact pump dimensions are critical to the pumping operation.