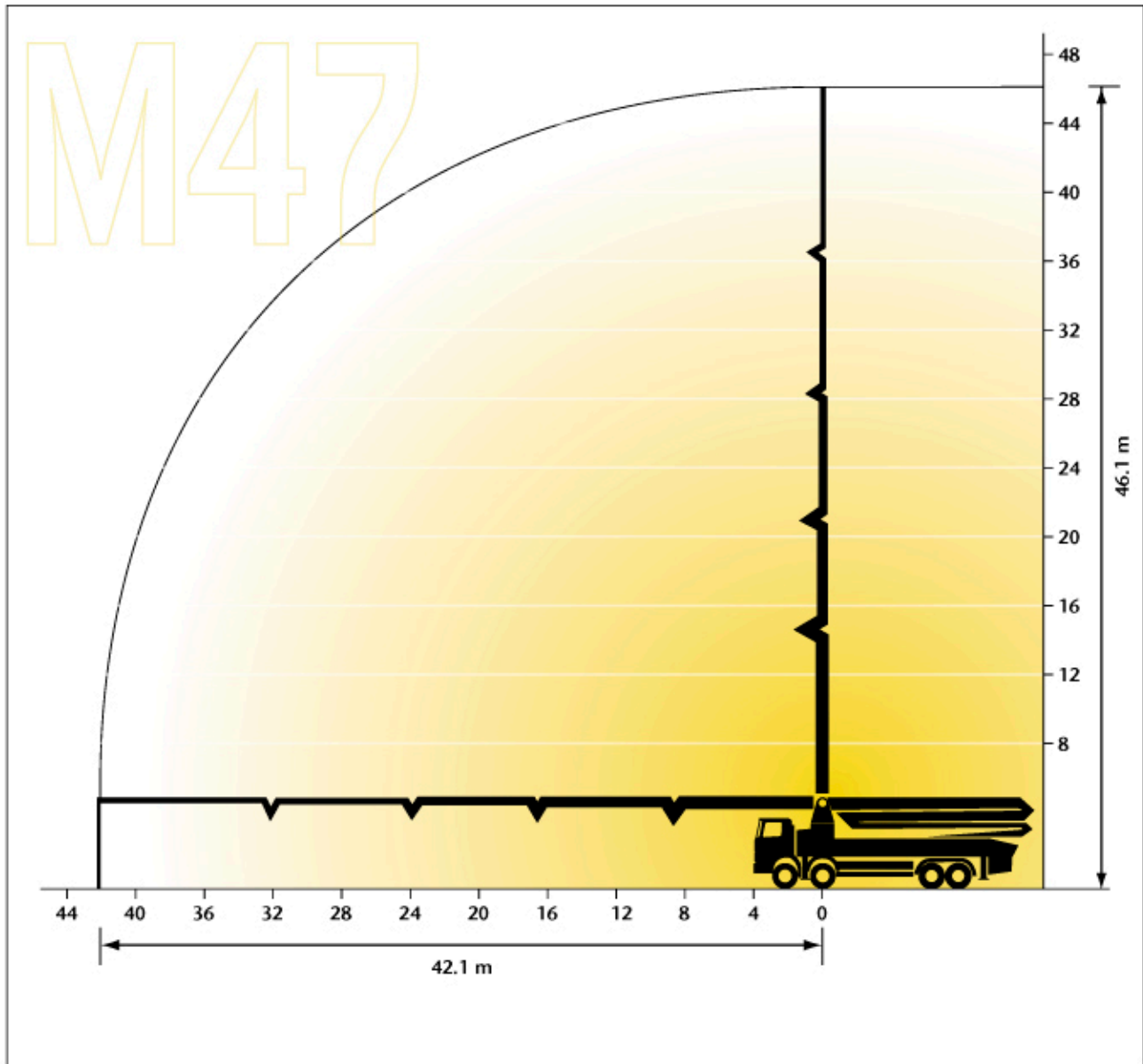
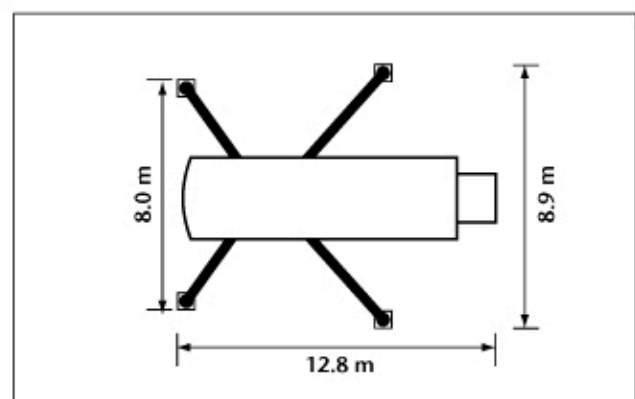


# M47 – MOBILE CONCRETE BOOM PUMP



BOOM	M47
Maximum vertical reach	46.1 m
Maximum gross horizontal reach	42.1 m
Maximum net horizontal reach	39.3 m
Reach depth	32.2 m
Minimum unfolding height	9.5 m
Number of arms	5
Pipeline diameter	125 mm
Pump length	12.8 m
Front outrigger spread	8.0 m (with OSS 5.6 m)
Rear outrigger spread	8.9 m (with OSS 6.7 m)



M47 – Mobile Concrete Boom Pump

This information is given for guidance only. Due to fleet renewals and pump manufacturers' developments, the pumps supplied may differ slightly from specification outlined above. It is recommended that a site visit is requested if the exact pump dimensions are critical to the pumping operation.