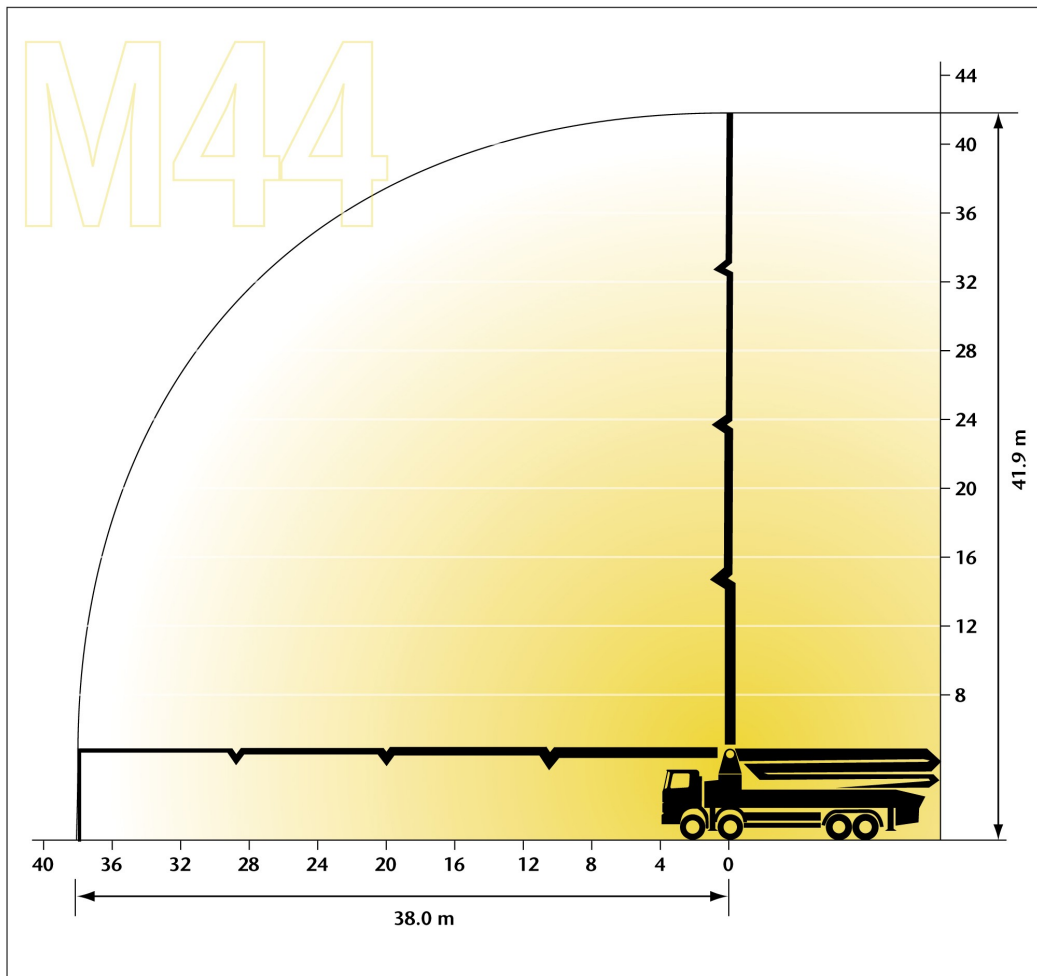
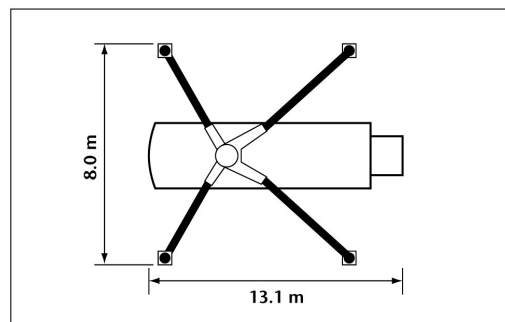


M44 – MOBILE CONCRETE BOOM PUMP



BOOM	M44
Maximum vertical reach	41.9 m
Maximum gross horizontal reach	38.0 m
Maximum net horizontal reach	35.3 m
Reach depth	29.1 m
Minimum unfolding height	10.0 m
Number of arms	4
Pipeline diameter	125 mm
Pump length	13.1 m
Front outrigger spread	8.0 m (with OSS 5.2 m)
Rear outrigger spread	8.0 m (with OSS 5.7 m)



M44 – Mobile Concrete Boom Pump

This information is given for guidance only. Due to fleet renewals and pump manufacturers' developments, the pumps supplied may differ slightly from specification outlined above. It is recommended that a site visit is requested if the exact pump dimensions are critical to the pumping operation.