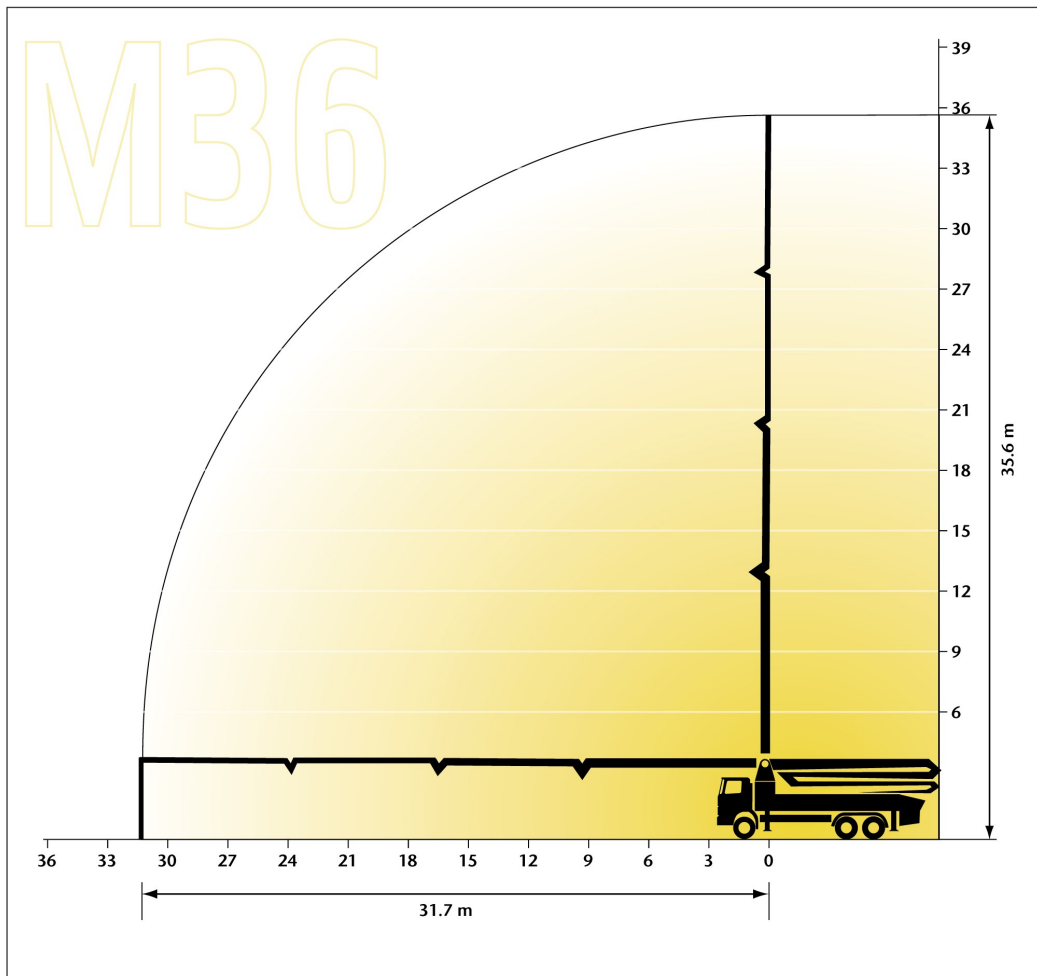
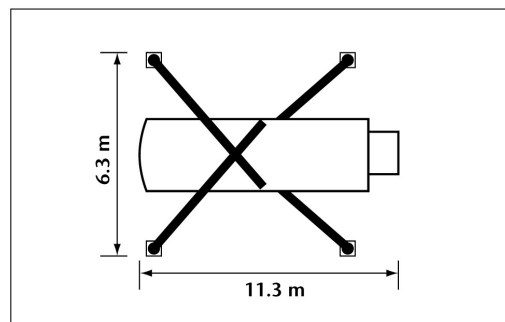


## M36 – MOBILE CONCRETE BOOM PUMP



BOOM	M36
Maximum vertical reach	35.6 m
Maximum gross horizontal reach	31.7 m
Maximum net horizontal reach	29.3 m
Reach depth	23.7 m
Minimum unfolding height	8.7 m
Number of arms	4
Pipeline diameter	125 mm
Pump length	11.3 m
Front outrigger spread	6.3 m (with OSS 4.5 m)
Rear outrigger spread	6.3 m (with OSS 5.2 m)



M36 – Mobile Concrete Boom Pump

This information is given for guidance only. Due to fleet renewals and pump manufacturers' developments, the pumps supplied may differ slightly from specification outlined above. It is recommended that a site visit is requested if the exact pump dimensions are critical to the pumping operation.