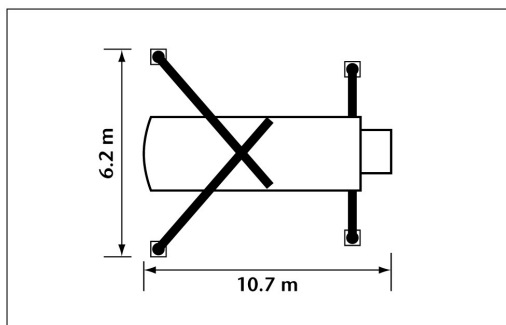
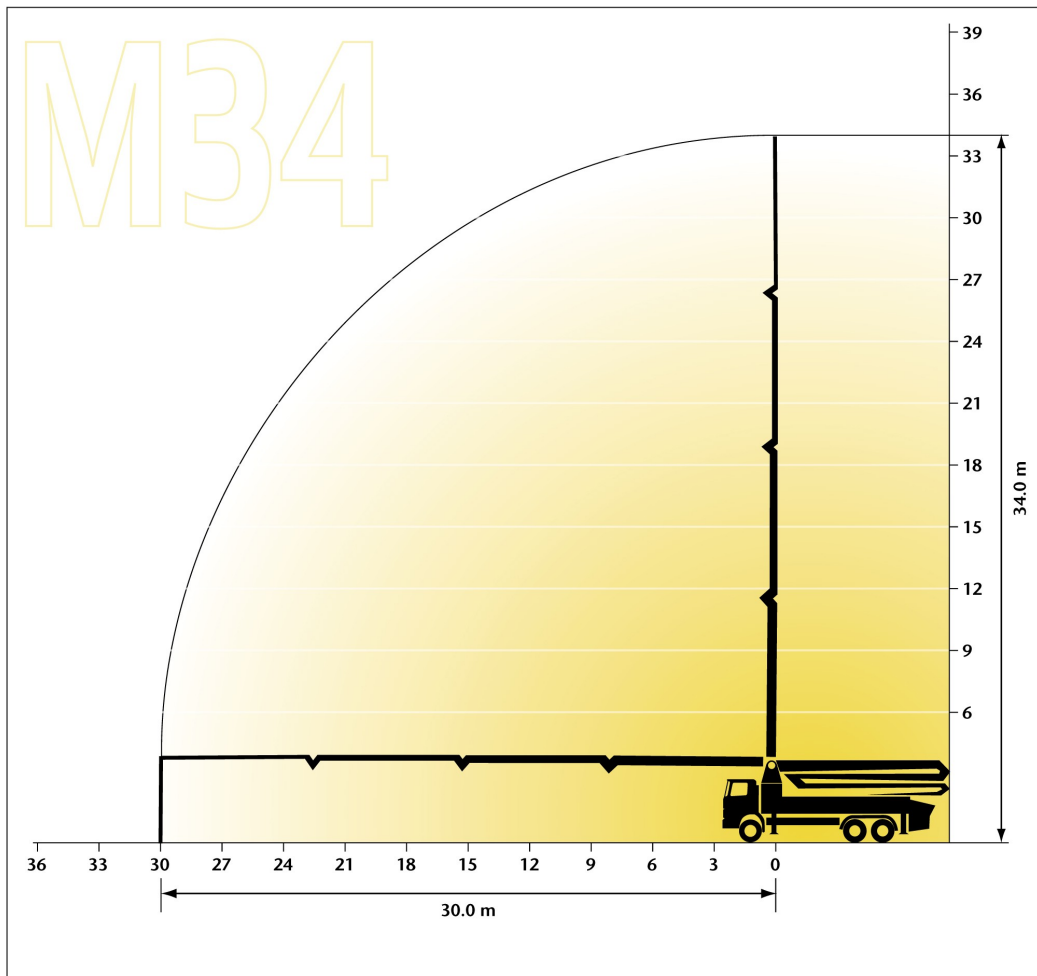


## M34 – MOBILE CONCRETE BOOM PUMP



M34 – Mobile Concrete Boom Pump

BOOM	M34
Maximum vertical reach	34.0 m
Maximum gross horizontal reach	30.0 m
Maximum net horizontal reach	27.7 m
Reach depth	23.2 m
Minimum unfolding height	7.8 m
Number of arms	4
Pipeline diameter	125 mm
Pump length	10.7 m
Front outrigger spread	6.2 m (with OSS 4.2 m)
Rear outrigger spread	4.8 m (with OSS 4.0 m)

This information is given for guidance only. Due to fleet renewals and pump manufacturers' developments, the pumps supplied may differ slightly from specification outlined above. It is recommended that a site visit is requested if the exact pump dimensions are critical to the pumping operation.