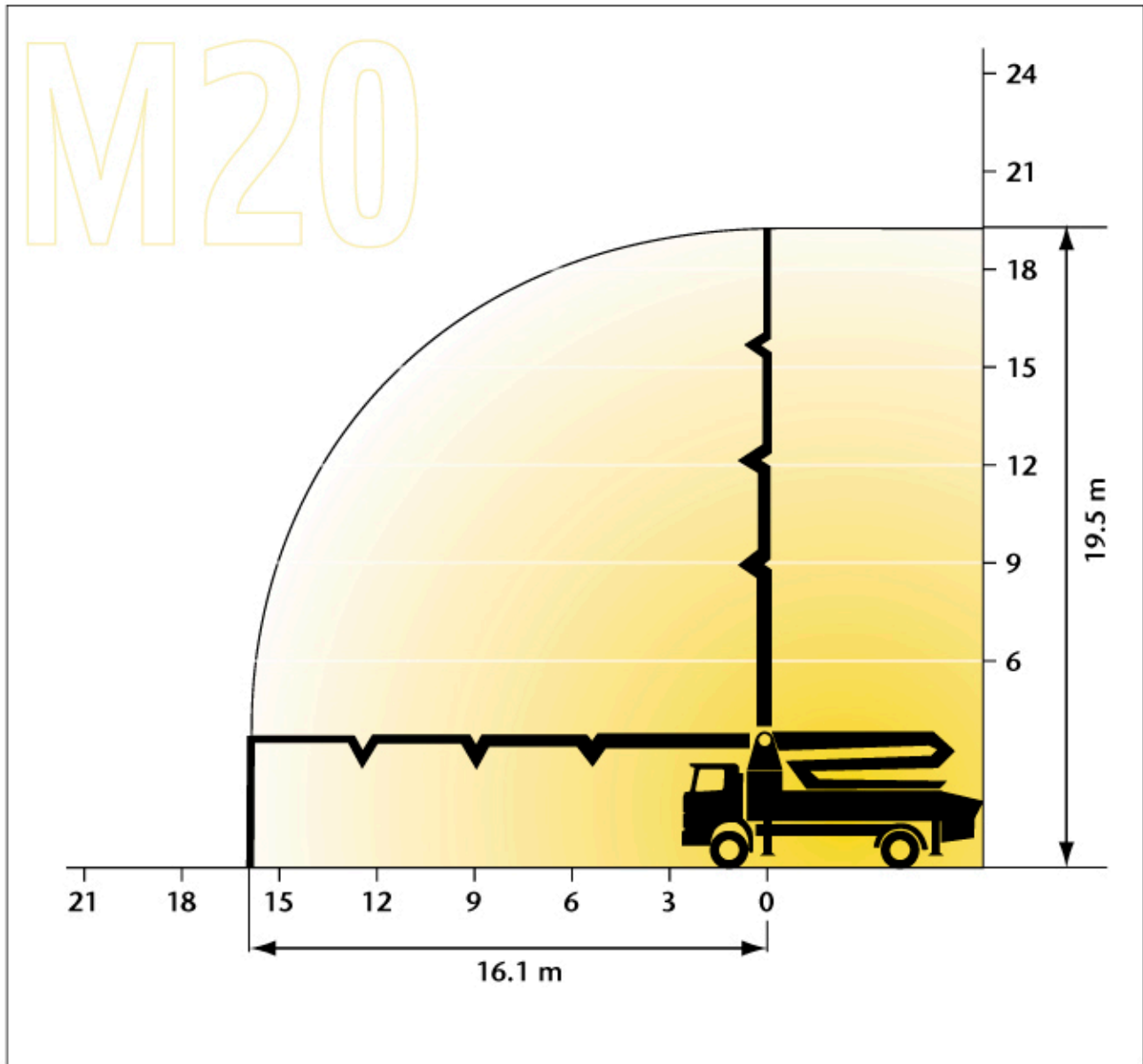
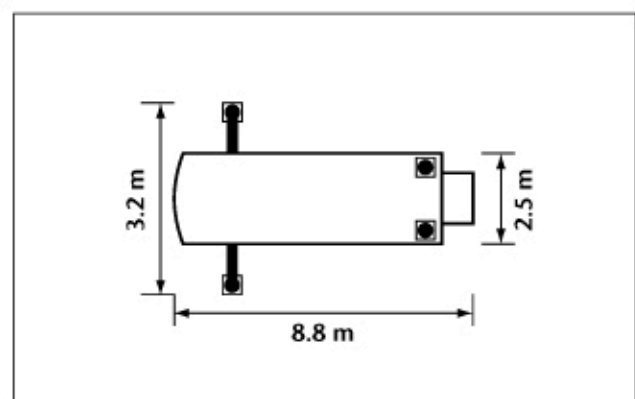


M20 – MOBILE CONCRETE BOOM PUMP



BOOM	M20
Maximum vertical reach	19.5 m
Maximum gross horizontal reach	16.1 m
Maximum net horizontal reach	13.8 m
Reach depth	11.1 m
Minimum unfolding height	3.9 m
Number of arms	4
Pipeline diameter	125 mm
Pump length	8.8 m
Front outrigger spread	3.2 m
Rear outrigger spread	2.5 m



M20 – Mobile Concrete Boom Pump

This information is given for guidance only. Due to fleet renewals and pump manufacturers' developments, the pumps supplied may differ slightly from specification outlined above. It is recommended that a site visit is requested if the exact pump dimensions are critical to the pumping operation.