

TRUCK-MOUNTED CONCRETE PUMP  
S 39 SX

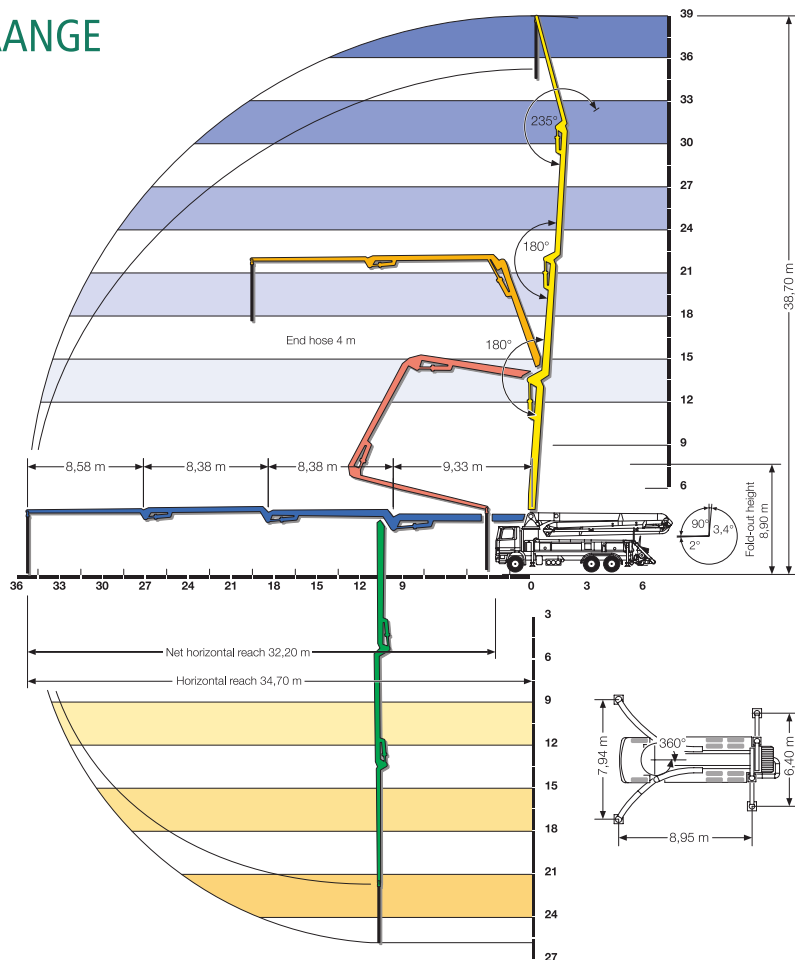


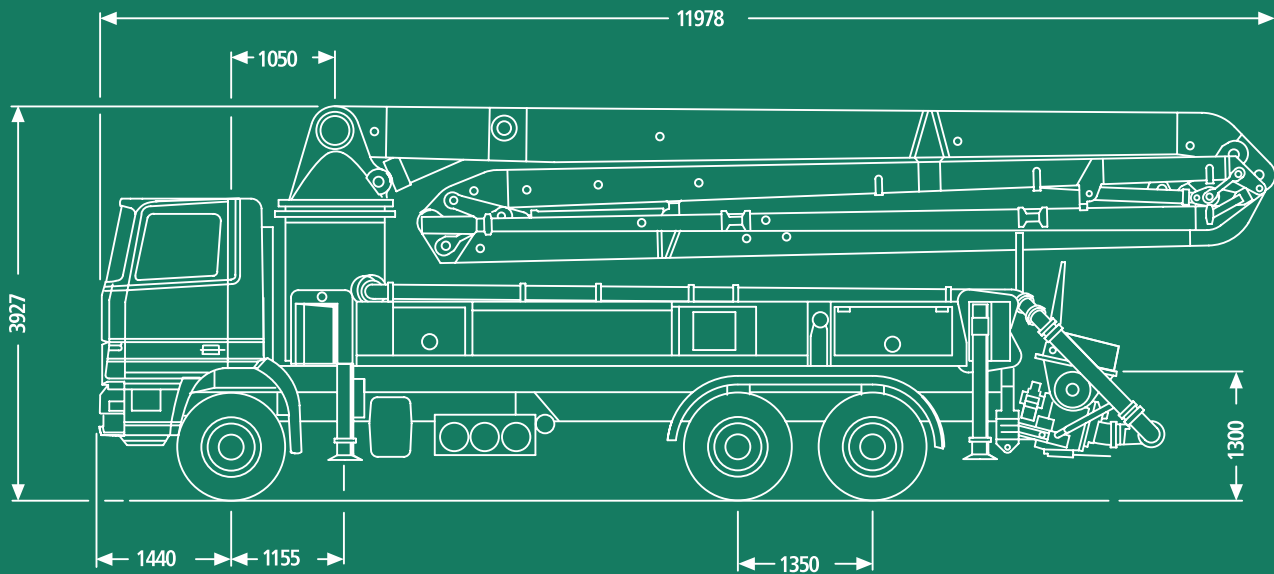
# TECHNICAL DATA

Pump battery		P 2023	P 2025	P 2525
Max. theor. output	m <sup>3</sup> /h	164	163	164
Max. number of strokes	min.	32	27	22
Max. concrete pressure	bar	85	85	85
<b>Placing boom</b>		<b>39 R</b>		
Delivery line diameter		DN 125		
Length of end hose	m	3,0		
Vertical reach	m	38,70		
Horizontal reach	m	34,65		
Number of articulations		4		
Height of articulations	m	4,1 / 13,4 / 21,80 / 30,1		
Slewing range		2 x 370°		
Outrigger load, front	kN	180		
Outrigger load, rear	kN	180		

## WORKING RANGE

### S 39 SX





## SCHWING-STETTER MOVES CONCRETE. **WORLDWIDE.**

Wherever concrete is produced and moved is where you will find Schwing-Stetter machinery.

With plants in Germany, Austria, USA, Brazil, Russia, China and India as well as with more than 100 sales and service facilities, the group of companies is always close to the customer.

Our wide range of products with something for every application is what makes Schwing-Stetter the No. 1 system supplier for concrete machinery worldwide.



SCHWING GMBH  
 P.O. Box 20 03 62 · D-44647 Herne / Germany  
 Phone (0) 23 25 / 9 87-0 · Fax (0) 23 25 / 7 29 22  
[www.schwing.de](http://www.schwing.de) · [info@schwing.de](mailto:info@schwing.de)

Subject to modifications in the interest of technical progress. The exact standard scope of delivery is detailed in the offer.